



Flight Light Inc.
2708 47th Ave.
Sacramento, California, U.S.A.
95822-3806

SPECIAL PRICING: \$150 EACH

Only 9 fixtures are available at this special price. (Model #: SL-AV10-24R)

PH (916) 394-2800 FX (916) 394-2809
TF (800) 806-3548 EM info@flightlight.com

**AV10
LED Obstruction Light
Avlite**

Typical Applications

- 12v Obstruction Light (LIOL A)

Major Benefits

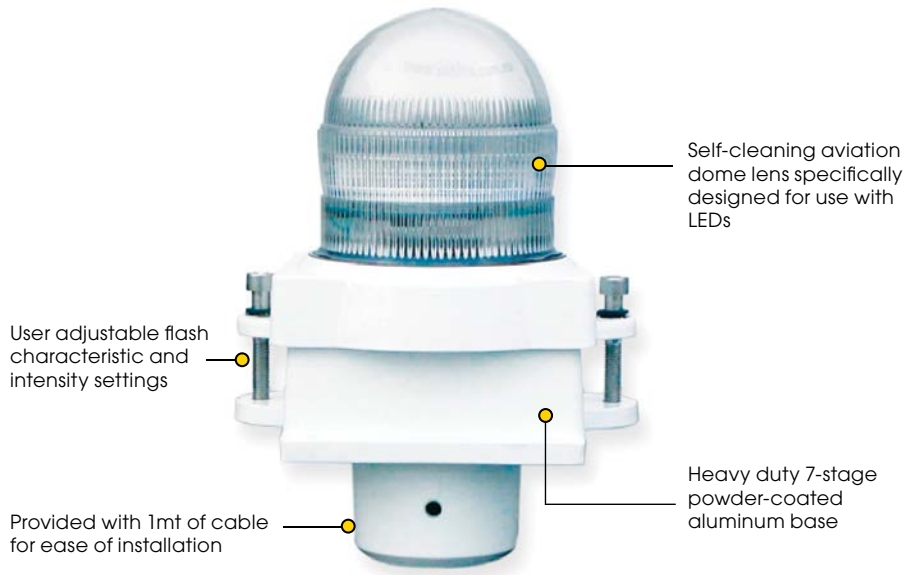
- 5.4km visible range (flashing)
- 12v
- ICAO Compliant AV10 12v Obstruction Light (LIOL A)
- Ultra-high intensity LEDs (no changing globes ever)

The AV10 low intensity LED obstruction light complies with ICAO requirements for obstructions whereby the height does not exceed 45m, and is also suitable for a range of marker lighting applications.

The light uses 20 ultra-high intensity LEDs as a light source and has a visible range of 5.4km. In addition, the AV10 uses the 360 degree LED Reflector (U.S. Pat. No. 6,667,582. AU Pat. No. 778,918) which increases the intensity and uniformity of the horizontal output.

Housed in a 7-stage powder-coated cast aluminum case, the AV10 will provide years of zero-maintenance service, and is available 12v (standard), 24v or 48v.

This equipment meets the requirements of a Low Intensity Type A Obstruction Light, ICAO Annex 14 volume 1, "Aerodrome Design and Operations", Fourth Edition July 2004.



Visit our web site: www.flightlight.com



Flight Light Inc.
2708 47th Ave.
Sacramento, California, U.S.A.
95822-3806

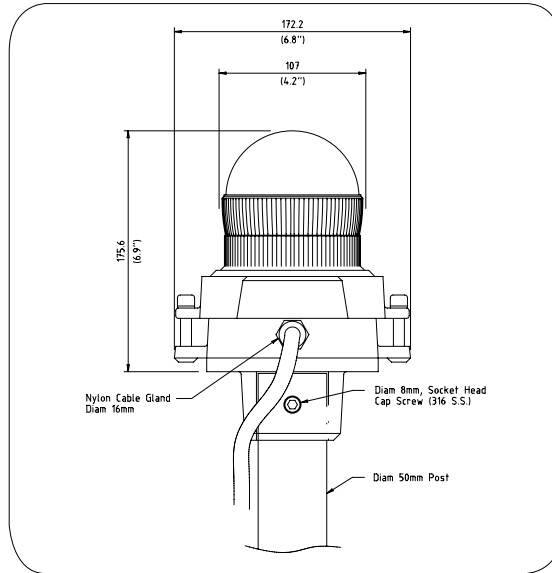
SPECIAL PRICING: \$150 EACH

Only 9 fixtures are available at this special price. (Model #: SL-AV10-24R)

PH (916) 394-2800
TF (800) 806-3548

FX (916) 394-2809
EM info@flightlight.com

**AV10
LED Obstruction Light
Avlite**



SPECIFICATIONS •

Light Characteristics

Light Source: 20 ultra-high intensity LEDs
Available Colours: Red (other colours available)
Peak Intensity (cd): >25 flashing, >10 fixed-on
Visible Range (nm): >3 flashing, >2 fixed-on
Horizontal Output (degrees): 360
Vertical Divergence (degrees): 0 to +10
Reflector Type: Omnidirectional 360° LED Reflector (US Pat. No. 6,667,582, AU Pat. No. 778,918)
Available Flash Characteristics: >250 including fixed-on (user-adjustable)
Intensity Adjustments: Adjustable in 25% increments
LED Life Expectancy (hours): >100,000

Electrical Characteristics

Current Draw (mA): 180
Circuit Protection: Integrated
Operating Voltage (V): 12
Temperature Range: -40 to 80 °C

Physical Characteristics

Body Material: 7-stage powder-coated aluminum
Lens Material: LEXAN® Polycarbonate - UV stabilized
Lens Diameter (mm/inches): 107 / 4 1/4
Lens Design: External optics with interior flute design
Mounting: 50mm OD pole
Height (mm/inches): 176 / 6 7/8
Width (mm/inches): 172 / 6 4/5
Mass (kg/lbs): 1.6 / 3 1/2
Product Life Expectancy: Up to 12 years

Certifications

CE
Quality Assurance: EN61000-6-3:1997, EN61000-6-1:1997, ISO9001:2000

Intellectual Property

Patents: US Pat. No. 6,667,582, AU Pat. No. 778,918
Trademarks: AVLITE® is a registered trademark of Avlite Systems

Warranty

Full 3 year warranty

Options Available

- GPS synchronization
- Additional cable
- Hardwired synchronization
- Other LED colours to suit different applications
- 24v or 48v operating voltages
- IR

• Specifications subject to change or variation without notice

Visit our web site: www.flightlight.com