



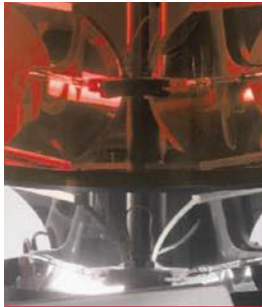
Flight Light Inc.
2708 47th Ave.
Sacramento, California, U.S.A.
95822-3806



PH (916) 394-2800
TF (800) 806-3548

FX (916) 394-2809
EM info@flightlight.com

FlashGuard 3000B Medium Intensity Dual Lighting System Hughey & Phillips



FlashGuard™ 3000B

Medium Intensity Dual Lighting System

Type: L-864/L-865
Medium Intensity Dual Lighting

Medium Intensity
Obstacle Light

Applicable Specifications:

Compliant to: FAA Advisory
Circular AC150/5345-43E

Compliant to: ICAO Annex 14
Transport Canada TP 382E
DGAC of Mexico

FlashGuard™ 3000B System Description

The FlashGuard 3000B Medium Intensity Dual Lighting System combines a daytime white strobe light and a nighttime red flashing strobe into a single flashhead, eliminating the need for two separate lighting systems. The flashhead is powered and controlled by a power supply that can be mounted remotely at the base of the structure. The power supply constantly monitors the operation of the system, and provides alarm contact closure upon any failure. The system automatically switches between day, twilight, and night intensities by the use of a calibrated photocell. FlashGuard 3000B flashheads incorporate a light blocking strip that minimizes ground scatter light, resulting in a "community friendly" lighting system.

Application

Medium Intensity obstruction lighting systems are typically used on structures between 150' (45M) and 500' (150M) above ground level to provide aviation safety. The use of a medium intensity white strobe during the daytime typically eliminates the need to paint the structure with aviation orange and white stripes. The use of a red flashing beacon at night provides a "community friendly" light. Medium intensity obstruction lights are designed for lighting tall structures such as communication, television and radio towers, chimneys, cooling towers, tall buildings, catenary river crossings and bridges.



Visit our web site: www.flightlight.com



Flight Light Inc.
 2708 47th Ave.
 Sacramento, California, U.S.A.
 95822-3806



PH (916) 394-2800
 TF (800) 806-3548

FX (916) 394-2809
 EM info@flightlight.com

FlashGuard 3000B
Medium Intensity Dual Lighting System
Hughey & Phillips

FlashGuard™ 3000B System Features

- Single flashhead provides dual red/white medium intensity operation with no moving parts.
- Dual flashtubes and dual trigger transformers provide nighttime redundancy - no single point of failure in flashhead
- Precise optics minimize ground scatter light
- Alarm contacts provided for connection to any monitoring system
- Monitoring and remote diagnostic upgrades available
- Rugged design of flashhead and power supply is suitable for outdoor installation in any climate

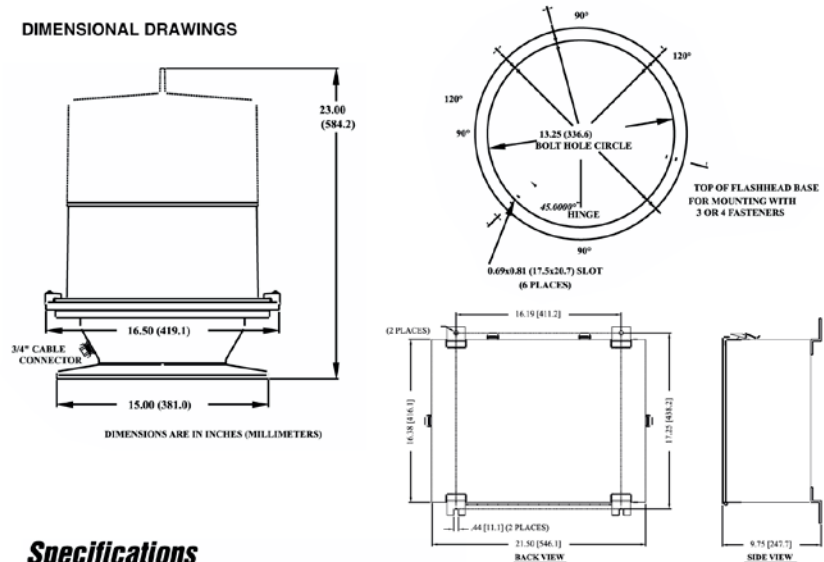
FlashGuard™ 3000B Flashhead

- Upper optics provides Red Flashing Beacon lighting
- Lower optics provides Medium Intensity White Strobe lighting
- Internally triggered Xenon strobetubes utilized for long-life and maximum efficiency, without creating corrosive ozone
- Parabolic reflector/linear strobetubes optics combination provides very precise optics and blocks ground scatter light in both red and white operation
- Lens raises and locks in place, providing easy access to strobetubes
- Only five components used in flashhead - minimal maintenance required at top of structure
- Dual flashtubes and trigger transformers provide nighttime redundancy
- Safety interlock switch included
- No moving parts
- High temperature, UV resistant acrylic used for flashhead lens

FlashGuard™ 3000B Power Supply

- Provides power electronics, timing circuitry, and monitoring for lighting system
- Automatic day/night intensity control
- Manual intensity override
- Easily accessible components
- Plug-in circuit cards
- Control and monitoring for up to four steady burning obstruction lights included
- Fail-safe monitoring system with five remote alarm contacts
- Stainless steel NEMA 4X enclosure
- Low power consumption

DIMENSIONAL DRAWINGS



Specifications

Photometrics	Day/Twilight Mode (White)	20,000 candela +/-25%
	Night Mode (Red)	2,000 candela +/-25%
	Backup Night Mode (White)	2,000 candela +/-25%
	Beam Spread	3° minimum
	Horizontal Coverage	360°, omni-directional
	'Ground Scatter Light' cut-off angle	<3% light output at -10° vertical
	Flash Rate	40FPM day and backup night operation 24 FPM red night operation
Environmental	Temperature	-55°C to +55°C (-67°F to +130°F)
	Will withstand exposure to:	95% relative humidity Wind-blown rain from any direction Salt-laden atmosphere Wind speeds of 240 kph (150 mph)
	Dimensions	See drawings
	Weight, Flashhead	16 kg (34 lbs)
Mechanical	Weight, Power Supply	32 kg (70 lbs)
	Power Supply enclosure rating	NEMA 4X
	Power Supply enclosure material	304 stainless steel standard, 316L stainless steel optional
	Flashhead cover material	High temp, UV resistant acrylic
	Input Voltages Available	120, 208, 240, 277, 380, 480 VAC, Single or Three Phase; 24 VDC
	Input Frequencies Available	50 or 60 Hz
	Power Consumption, Day Mode	208 Watts
	Power Consumption, Night Mode	133 Watts
	Power Consumption, Backup Mode	77 Watts
	Peak Inrush Current	6.95A@120VAC
Alarm Contacts (from C dry-contact)	5 total: Power Failure, Strobe Failure, Backup Night Operation, Sidelight Failure, Day/Night Status	

Visit our web site: www.flightlight.com