



Flight Light Inc.  
2708 47th Ave.  
Sacramento, California, U.S.A.  
95822-3806



**Taxiway Omni-Directional Light**  
**Type: L-852E and T**  
**Honeywell**

PH (916) 394-2800    FX (916) 394-2809  
TF (800) 806-3548    EM info@flightlight.com

# Taxiway Omni-Directional Light

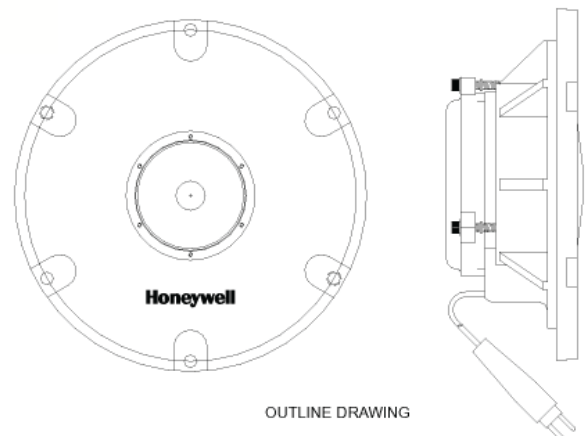
Type: L-852E and T

## USE

The Honeywell Omni-Directional Lights are used to identify taxiway intersections and/or taxiway edges where elevated lights may be susceptible to damage from jet blasts. The taxiway omni-directional light is also commonly used to light up the apron edge between the apron and the usable taxiway.

## FEATURES

- Fixture rises a maximum of 0.210 inch above the surface finish.
- Light fixture is an omni-directional fixture with one (1) 48-watt halogen lamp.
- Light housing is made from a one-piece aluminum casting making it lightweight (14 lb).
- Mounts on a standard size L-867B or L868B base whose top surface is 0.750 inch below the surface finish.



OUTLINE DRAWING

Visit our web site: [www.flightlight.com](http://www.flightlight.com)

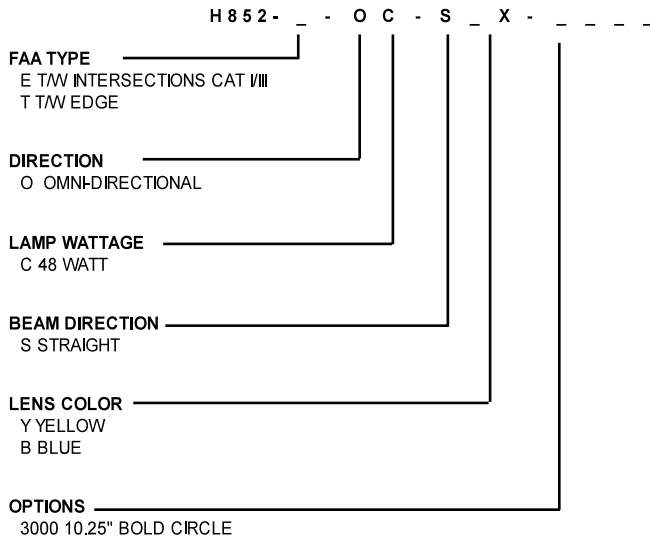


**Flight Light Inc.**  
 2708 47th Ave.  
 Sacramento, California, U.S.A.  
 95822-3806



**PH (916) 394-2800    FX (916) 394-2809**  
**TF (800) 806-3548    EM info@flightlight.com**

**Taxiway Omni-Directional Light**  
**Type: L-852E and T**  
**Honeywell**



**Taxiway Omni-Directional Light Part Numbers**

Part No	Description
H852E-OC-SYX	CAT I/II, Omni-directional, Yellow, 1x48 W Lamps
H852T-OC-SBX	TW Edge Omni-directional, Blue, 1x48 W Lamps

**Taxiway Omni-Directional Light Dimensions and Shipping Information**

Dimensions	Shipping
Size: 11.94 in. dia x 4.5 in. deep	Shipping Volume: 0.7 cu ft
Weight: 14 lbs	Shipping Weight: 17 lbs

For options or requirements not listed above, please contact the factory.

**Taxiway Omni-Directional Light Spare Parts and Accessories**

Part Number	Description
LA000011	48 W Harness Lamp
24F00120-04	Yellow Filter
24F00120-06	Blue Filter
1AL33MSPLKIT	Heatshrink Tubing(Qty 1)
ET04566601	45 W 6.6/6.6 A Transformer
EK54D3D3	Primary Connector Kit No. 6
EK54D4D4	Primary Connector Kit No. 8

**Taxiway Omni-Directional Light Isolation Transformer Requirements**

Omni-directional	45 W, 6.6 A Secondary
------------------	-----------------------

**Visit our web site: [www.flightlight.com](http://www.flightlight.com)**