



Flight Light Inc.
2708 47th Ave.
Sacramento, California, U.S.A.
95822-3806



Runway Threshold Light
H-Series Type: L-850D
Honeywell

PH (916) 394-2800 FX (916) 394-2809
TF (800) 806-3548 EM info@flightlight.com

Runway Threshold Light

Type: L-850D

Compliant with:

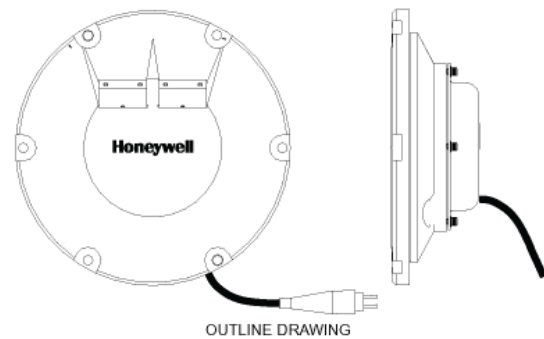
FAA Advisory Circular AC150/5345-46B, Class 2, Style 3.

USE

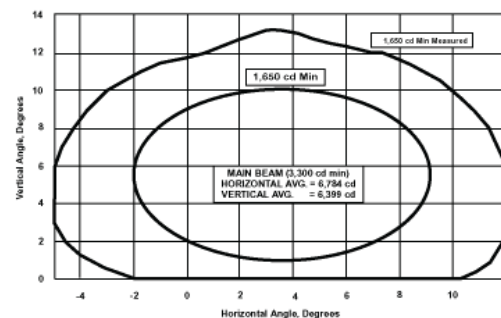
The Honeywell Runway Threshold Lights are used to define the beginning of the runway pavement suitable for aircraft operations. The runway threshold lights are typically used with medium and high intensity approach lighting systems utilizing displaced thresholds. Prisms are non-field replaceable.

FEATURES

- Fixture rises a maximum of 0.250 inch above the surface finish.
- Light fixture is a uni-directional fixture with two (2) 48-watt halogen lamps.
- Can be used for any FAA Category I, Category II, Category III, ICAO, or Military runway threshold applications.
- Light housing is made from a one-piece aluminum casting making it lightweight (14 lb).
- Mounts on a standard size L-868B base whose top surface is 0.750 inch below the surface finish.



L-850D Isocandela Performance 1,650 CD Green



Visit our web site: www.flightlight.com

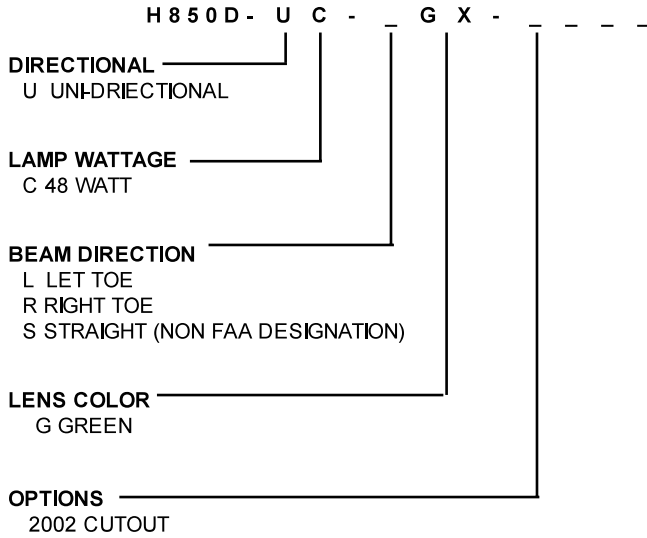


Flight Light Inc.
 2708 47th Ave.
 Sacramento, California, U.S.A.
 95822-3806



PH (916) 394-2800 FX (916) 394-2809
TF (800) 806-3548 EM info@flightlight.com

Runway Threshold Light
H-Series Type: L-850D
Honeywell



Runway Threshold Light Part Numbers

Part No	Description
H850D-UC-RGX	Uni-directional, Green, Right Toe, 2x48 W Lamps
H850D-UC-LGX	Uni-directional, Green, Left Toe, 2x48 W Lamps

Runway Threshold Light Dimensions and Shipping Information

Dimensions	Shipping
Size: 11.94 in. dia x 4.37 in. deep	Shipping Volume: 0.7 cu ft
Weight: 17 lbs	Shipping Weight: 20 lbs

For options or requirements not listed above, please contact the factory.

Runway Threshold Light Spare Parts and Accessories

Part Number	Description
LA000011	48 W Harness Lamp
40F01048	48 W Harness Lamp w/ Cutout
24F00120-05	Green Filter
ET10066601	100 W 6.6/6.6 A Isolation Transformer
EK54D4D4	Primary Connector Kit No. 8
1AL33MSPLKIT	Heatshrink Tubing(Qty 1)

Runway Threshold Light Isolation Transformer Requirements

Uni-directional	100 W, 6.6 A Secondary
-----------------	------------------------

Visit our web site: www.flightlight.com