



Flight Light Inc.
2708 47th Ave.
Sacramento, California, U.S.A.
95822-3806



Runway End Light
H-Series, Type: L-850D
Honeywell

PH (916) 394-2800 FX (916) 394-2809
TF (800) 806-3548 EM info@flightlight.com

Runway End Light

Type: L-850D

Compliant with:

FAA Advisory Circular AC150/5345-46B, Class 2, Style 3.

Conforms to:

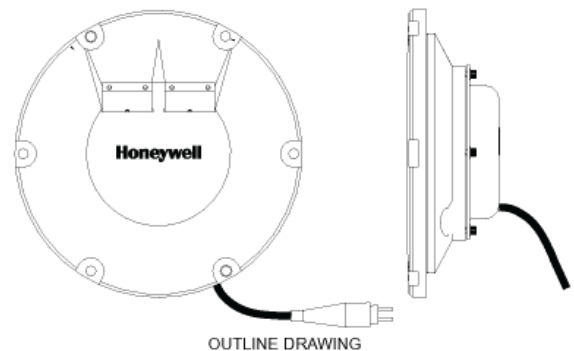
Transport Canada TP312E and ICAO Annex 14.

USE

The Honeywell Runway End Lights are used to define the end of the runway pavement suitable for aircraft operation. The lights are typically used with medium and high intensity approach lighting systems utilizing displaced thresholds. Prisms are non-field replaceable.

FEATURES

- Fixture rises a maximum of 0.250 inch above the surface finish.
- Light fixture is a uni-directional fixture with two (2) 48-watt halogen lamps.
- Can be used for any FAA Category I, Category II, Category III, ICAO, or Military runway threshold applications.
- Light housing is made from a one-piece aluminum casting making it lightweight (14 lb).
- Mounts on a standard size L-868B base whose top surface is 0.750 inch below the surface finish.



Visit our web site: www.flightlight.com

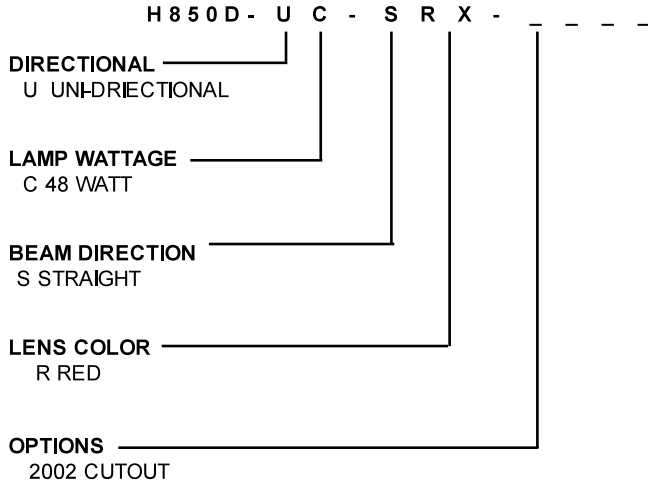


Flight Light Inc.
 2708 47th Ave.
 Sacramento, California, U.S.A.
 95822-3806



**Runway End Light
 H-Series, Type: L-850D
 Honeywell**

PH (916) 394-2800 FX (916) 394-2809
 TF (800) 806-3548 EM info@flightlight.com



Runway End Light Part Numbers

Part No	Description
H850D-UC-SRX	Uni-directional, Red, 2x48 W Lamps

Runway End Light Dimensions and Shipping Information

Dimensions	Shipping
Size: 11.94 in. dia x 4.37 in. deep	Shipping Volume: 0.7 cu ft
Weight: 17 lbs	Shipping Weight: 20 lbs

For options or requirements not listed above, please contact the factory.

**Runway End Light
 Spare Parts and Accessories**

Part Number	Description
LA000011	48 W Harness Lamp
40F01048	48 W Harness Lamp w/ Cutout
24F00120-02	Red Filter
1AL33MSPLKIT	Heatshrink Tubing(Qty 1)
ET10066601	100 Watt 6.6/6.6 A Isolation Transformer
EK54D4D4	Primary Connector Kit No. 8
EK54D3D3	Primary Connector Kit No. 6

Runway End Light Isolation Transformer Requirements

Uni-directional	100 W, 6.6 A Secondary
-----------------	------------------------

Visit our web site: www.flightlight.com