



Flight Light Inc.
2708 47th Ave.
Sacramento, California, U.S.A.
95822-3806

Approach Threshold Light
H-Series
Type: L-850E
Honeywell

PH (916) 394-2800 FX (916) 394-2809
TF (800) 806-3548 EM info@flightlight.com

Approach Threshold Light

Type: L-850E

Conforms to:

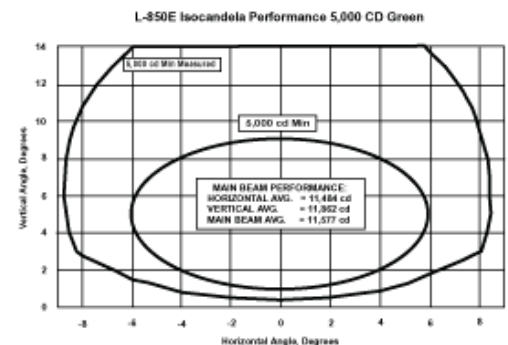
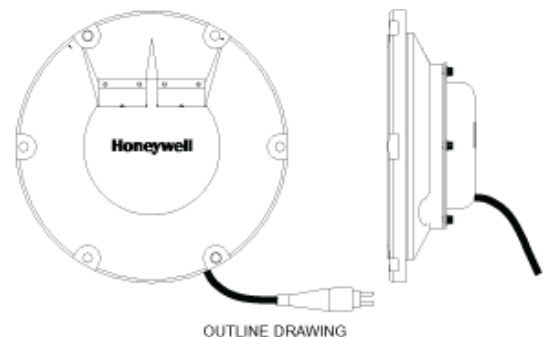
Transport Canada TP312E and ICAO Annex 14.

USE

The Honeywell Approach Threshold Lights are used to define the beginning of the runway pavement suitable for aircraft operation. This light differs from the runway threshold light in that the higher photometric intensity allows for its use in Medium Intensity Approach Lighting Systems (MALSR). Prisms are non-field replaceable.

FEATURES

- Fixture rises a maximum of 0.250 inch above the surface finish.
- Light fixture is a uni-directional fixture with two (2) 105-watt halogen lamps.
- Fixture includes a cutout option that allows one lamp to remain lit in the event the other lamp fails.
- Light housing is made from a one-piece aluminum casting making it lightweight (14 lb).
- Mounts on a standard size L-868B base whose top surface is 0.750 inch below the surface finish.



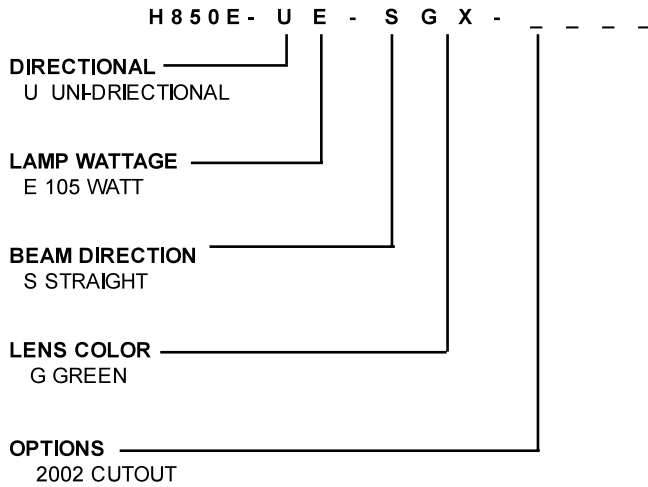
Visit our web site: www.flightlight.com



Flight Light Inc.
 2708 47th Ave.
 Sacramento, California, U.S.A.
 95822-3806

PH (916) 394-2800 FX (916) 394-2809
TF (800) 806-3548 EM info@flightlight.com

Approach Threshold Light
H-Series
Type: L-850E
Honeywell



Approach Threshold Light Part Numbers

Part No	Description
H850E-UE-SGX	Uni-directional, Green, 2x105 W lamps

Approach Threshold Light Dimensions and Shipping Information

Dimensions	Shipping
Size: 11.94 in. dia x 4 in. deep	Shipping Volume: 0.7 cu ft
Weight: 14 lbs	Shipping Weight: 17 lbs

For options or requirements not listed above, please contact the factory.

Approach Threshold Light Spare Parts and Accessories

Part Number	Description
40F00105	105 W Harness Lamp
19F00105	105 W Harness Lamp w/ Cutout
24F00120-05	Green Filter
1AL33MSPLKIT	Heatshrink Tubing(Qty 1)
ET20066601	200 W 6.6/6.6 A Isolation Transformer
EK54D4D4	Primary Connector Kit No. 8
EK54D3D3	Primary Connector Kit No. 6

Approach Threshold Light Isolation Transformer Requirements

Uni-directional	200 W, 6.6 A Secondary
-----------------	------------------------

Visit our web site: www.flightlight.com