



Flight Light Inc.
 2708 47th Ave.
 Sacramento, California, U.S.A.
 95822-3806

PH (916) 394-2800 FX (916) 394-2809
 TF (800) 806-3548 EM info@flightlight.com

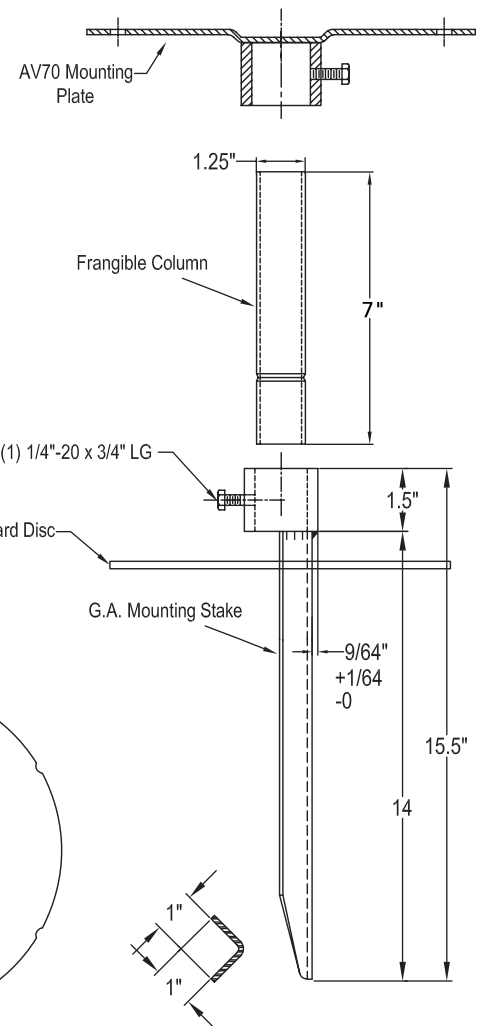
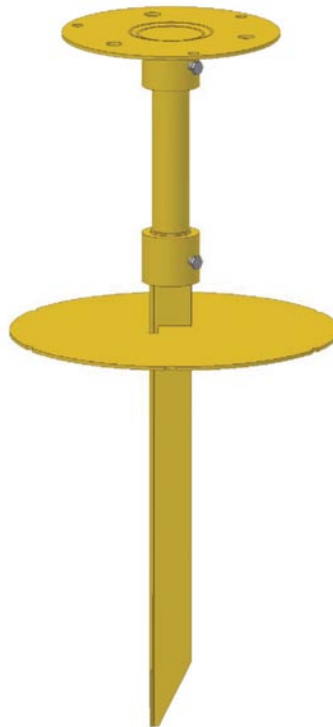
**AV70
 Ground Stake Mount
 Avlite**

Avlite Systems ground stake mount has been specifically developed to complement the AV70 solar aviation light. The components of the ground stake mount consist of a mounting plate, mounting stake, frangible column and grass guard.

All components (excluding hardware) are made from heavy duty aluminum, subject to 7-stage powder-coating in high-visibility yellow color.

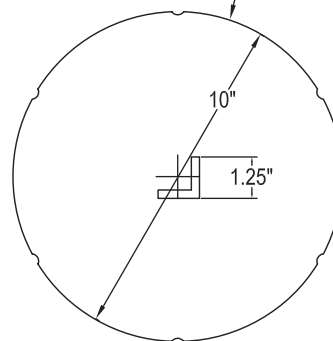
Major Benefits

- 7-stage powder-coated heavy duty aluminum components
- High-visibility yellow color
- 316-grade stainless steel hardware
- Individual replacement parts available
- Safe, cost effective installation solution



Ordering Codes

P/N	Description
AV8343	Avlite AV70 Mounting Plate
AV8345	G.A. Mounting Stake
AV8346	Frangible Column
AV8348	Grass Guard
AV1602	Ground Stake Mount Set: • Avlite AV70 Mounting Plate • G.A. Mounting Stake • Frangible Column
AV1602GG	Ground Stake Mount Set: • Avlite AV70 Mounting Plate • G.A. Mounting Stake • Frangible Column • Grass Guard



Visit our web site: www.flightlight.com