



Flight Light Inc.
2708 47th Ave.
Sacramento, California, U.S.A.
95822-3806

PH (916) 394-2800 FX (916) 394-2809
TF (800) 806-3548 EM info@flightlight.com

ICAO Low Intensity Double Obstruction Light Type A & B Avlite

Compliance

- Low Intensity Type A & B Obstruction Light, ICAO Annex 14 Volume 1, 'Aerodrome Design and Operations', Fourth edition July 2004, table 6.3.

Applications

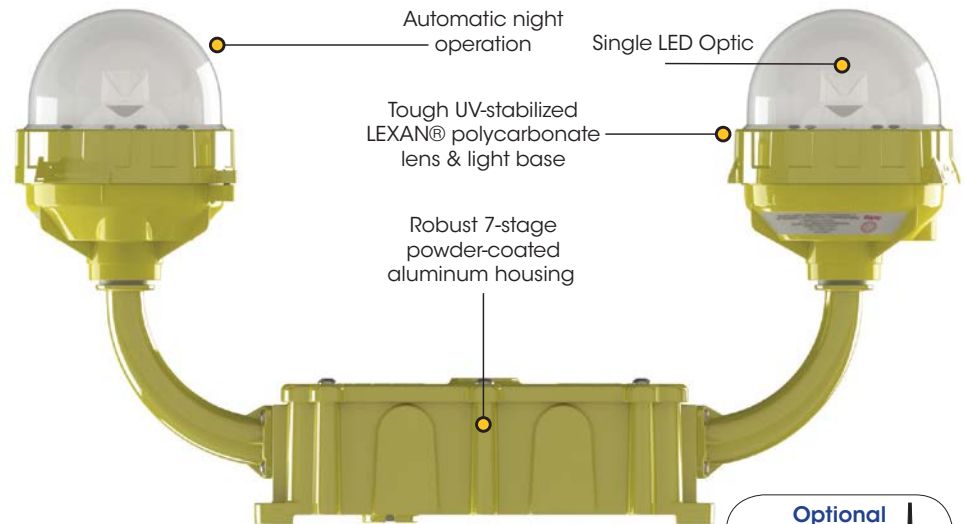
- ICAO LIOL Type A & B for marking obstacles that do not exceed 45 meters in height.

Features

- Cost effective, energy efficient obstruction lighting solution.
- Available in universal DC: will accept between 12-48VDC.
- Available in universal AC: will accept between 110-240VAC.
- User-adjustable intensity to toggle between ICAO LIOL Type A (10cd) & LIOL Type B (32cd).
- Dual light fixture enables simultaneous twin operation or redundant failsafe.
- Alarm contact for remote monitoring.
- Light sensor for day/night operation.
- LED technology reduces maintenance time and costs.
- Available with GSM monitoring.
- DC version available with 2.4GHz Radio Control.
- DC version available with RS422/485 communications port for monitoring.

This Avlite dual light fixture is a steady burning, low intensity LED obstruction light designed to comply with ICAO LIOL Type A & B requirements. The model can be used for marking obstacles up to 45 meters above ground which pose a danger to aircraft at night, such as telecommunication towers, wind turbines, buildings and other tall structures.

Avlite's LED obstruction lights offer an ultra bright, energy efficient and cost effective lighting solution. Adjustable intensity settings allow the user to easily



toggle between 10cd (Type A) and 32cd (Type B).

The light fixture is available in two configurations, universal DC (12-48VDC) or universal AC (110-240VAC).

The dual light fixture can be configured to different operational states. Both light fixtures may be set to operate steady-burning. Alternatively, the dual light fixture may consist of a main light and a standby light. If the main light should ever fail the standby light will automatically switch on to ensure the obstacle is always clearly marked.

The advanced light optic uses a single LED for minimal power consumption. The corrosion resistant, polycarbonate lens is specifically designed for use with LEDs to maximize light intensity and uniformity. Integrated sensors in the light are able to detect when the ambient light threshold drops sufficiently and the light will begin operation automatically.

The light fixture incorporates inter-

nal diagnostic checking and an alarm contact for remote monitoring. The alarm relay is energized in normal operation and is released whenever the LED is not lit. The obstruction light is also available with combined visual and infrared (IR) for visibility to pilots using night vision.

Optional GSM Monitoring

The Avlite dual obstruction light is available with GSM Cell-Phone Monitoring, enabling operators to remotely monitor the status of their installation. The system can also be configured to send out SMS text messages or e-mail alerts to designated operators should alarm conditions be triggered, such as low voltage or light failure.

Optional Radio Control

The DC configuration is also available with 2.4GHz Radio Control, whereby lights can be operated by a wireless handheld controller enabling personnel to remotely activate the light.



Visit our web site: www.flightlight.com



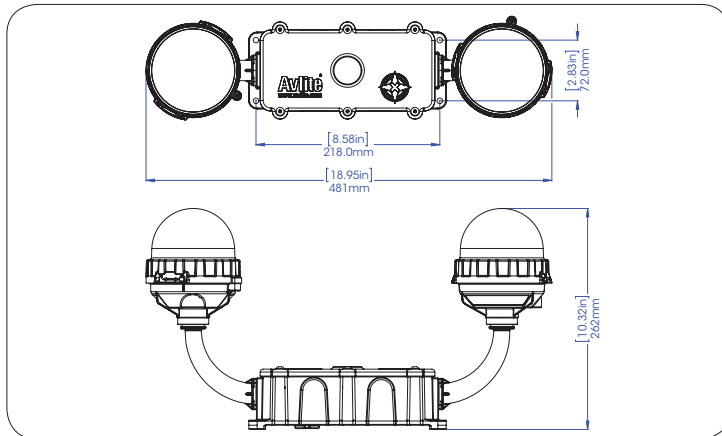
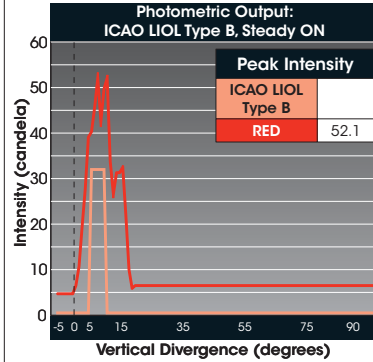
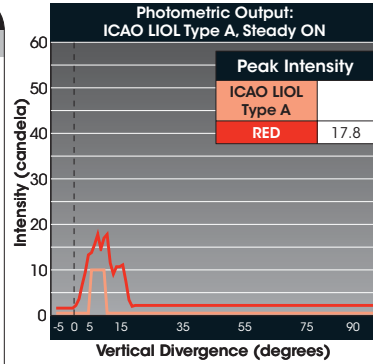
Flight Light Inc.
 2708 47th Ave.
 Sacramento, California, U.S.A.
 95822-3806

PH (916) 394-2800 FX (916) 394-2809
TF (800) 806-3548 EM info@flightlight.com

ICAO Low Intensity Double Obstruction Light Type A & B Avlite

SPECIFICATIONS * *	AV-OL-ILAB-12-R-D	AV-OL-ILAB-UM-D
	12-48 VDC	110-240 VAC
Light Characteristics		
Light Source	As tested AV-OL-ILA-12-R LED & AV-OL-ILB-12-R LED	As tested AV-OL-ILA-UM-R LED & AV-OL-ILB-UM-R LED
Available colors	Red as standard. Other colors available on request, including IR	Red as standard. Other colors available on request, including IR
Peak Intensity (cd)†	360	360
Horizontal Output (degrees)	As per ICAO Type A/B specification	As per ICAO Type A/B specification
Vertical Divergence (degrees)	Single LED Optic	Single LED Optic
Reflector Type	User-adjustable between 10cd & 32cd	User-adjustable between 10cd & 32cd
Intensity Adjustments	>100,000	>100,000
LED Life Expectancy (hours)		
Electrical Characteristics		
Current Draw (mA)	@ 12V: ICAO LIOL Type A @ 10cd Steady-on with relay energized: I _{max} = 65 ICAO LIOL Type B @ 32cd Steady-on with relay energized: I _{max} = 120	@ 240V: ICAO LIOL Type A @ 10cd Steady-on with relay energized: I _{max} = 4 ICAO LIOL Type B @ 32cd Steady-on with relay energized: I _{max} = 8
Circuit Protection	Integrated	Integrated
Operating Voltage	12 - 48 VDC	110 - 240 VAC
Temperature Range	-40 to 80°C	-40 to 80°C
Physical Characteristics		
Body Material	7-stage powder-coated aluminum	7-stage powder-coated aluminum
Lens Material	LEXAN® Polycarbonate - UV stabilized	LEXAN® Polycarbonate - UV stabilized
Lens Diameter (mm/inches)	100 / 3 7/8	100 / 3 7/8
Lens Design	Single LED Optic	Single LED Optic
Mounting	4 x 6.5mm mounting holes	4 x 6.5mm mounting holes
Height (mm/inches)	262 / 10 3/8	262 / 10 3/8
Width (mm/inches)	481 / 19	481 / 19
Mass (kg/lbs)	2.3 / 5	2.3 / 5
Product Life Expectancy	Up to 12 years	Up to 12 years
Environmental Factors		
Humidity	0 to 100%, MIL-STD-810F	0 to 100%, MIL-STD-810F
ICing	22kg per square inch	22kg per square inch
Wind Speed	Up to 160kph	Up to 160kph
Certifications		
CE	EN61000-6-3:1997, EN61000-6-1:1997, ISO9001:2008	EN61000-6-3:1997, EN61000-6-1:1997, ISO9001:2008
Quality Assurance	Low Intensity Obstruction Light Type A & B	Low Intensity Obstruction Light Type A & B
ICAO	IP67	IP67
Waterproof		
Intellectual Property		
Trademarks	AVLITE® is a registered trademark of Avlite Systems	AVLITE® is a registered trademark of Avlite Systems
Warranty *	3 year warranty	3 year warranty
Options Available	<ul style="list-style-type: none"> • Radio Controlled • GSM Cell-Phone Monitoring • Avlite Pilot Activated Lighting Control • Dual visual/IR output • IR LED • RS422/485 communications port 	<ul style="list-style-type: none"> • GSM Cell-Phone Monitoring • Dual visual/IR output • IR LED

* Specifications subject to change or variation without notice
 † Subject to standard terms and conditions
 ‡ Intensity setting subject to solar availability



HOW TO ORDER

AV-OL-ILAB-[Model]-[?]-D-[?]

Product No.: _____

Model:
 12 = 12-48 VDC
 UM = 110-240 VAC

Color: _____
 R = Red
 IR = Infrared
 RIR = Combined Red/IR

Dual Light Fixture: _____

Monitoring & Control: _____
 G = GSM
 RF = Radio Control
 G-RF = GSM & Radio Control
 [blank] = No Monitoring & Control

Visit our web site: www.flightlight.com