



Flight Light Inc.
2708 47th Ave.
Sacramento, California, U.S.A.
95822-3806

PH (916) 394-2800 FX (916) 394-2809
TF (800) 806-3548 EM info@flightlight.com

AV-09 LED Area Light Avlite

Typical Applications

- Area illumination
- Sign lighting

Features

- 12v
- Available in multi-colors.
- Range of mounting brackets to accommodate pole, ceiling or wall mounting.

The AV-09 LED Area Light is a low-voltage area/compound light, designed to provide excellent ground or signage illumination.

The unit will provide an even 120 degree WHITE light spread from a 3 watt surface mounted high-intensity LED.

The base of the light is made from injection molded UV-stabilized polycarbonate which is bonded to the domed polycarbonate lens.

The AV-09 can be supplied with convenient mounting brackets to provide pole, ceiling or wall mounting.

The lights are also available with 'plug and play' connectors for quick connection to battery and solar power packs.

Domed light with
3 watt surface mounted
ultra-high intensity
LED for optimal area
illumination
(>120 degrees)

Provided with 1 meter
of cable for ease of
installation

Injection molded
UV-stabilized LEXAN®
polycarbonate
lens and base



Visit our web site: www.flightlight.com



Flight Light Inc.
 2708 47th Ave.
 Sacramento, California, U.S.A.
 95822-3806

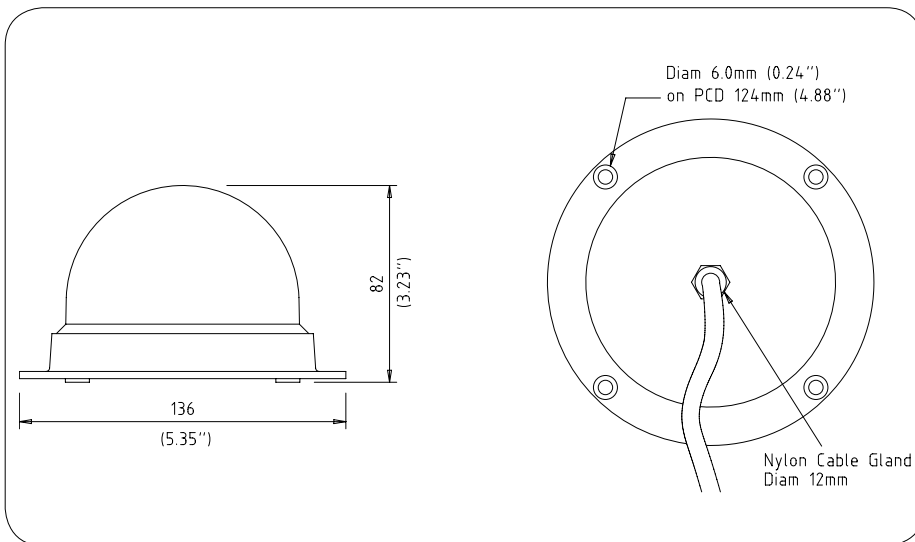
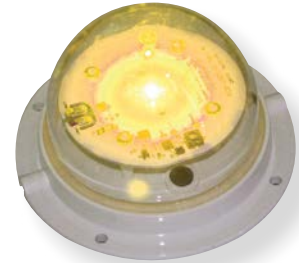
PH (916) 394-2800
TF (800) 806-3548

FX (916) 394-2809
EM info@flightlight.com

AV-09
LED Area Light
Avlite

SPECIFICATIONS*	AV-09
Light Characteristics	
Light Source	1x 3 watt ultra-high intensity surface-mounted LED
Available colors	White, Red, Green, Yellow
Peak Intensity (cd)†	>100
Horizontal & Vertical Divergence (degrees)	120
LED Life Expectancy (hours)	>100,000
Electrical Characteristics	
Current Draw (mA)	230mA
Circuit Protection	Polarity protected
Operating Voltage (v)	12
Temperature Range	-40 to 80°C
Physical Characteristics	
Body Material	LEXAN® Polycarbonate – UV stabilized
Lens Material	LEXAN® Polycarbonate – UV stabilized
Mounting	4 x 6mm mounting holes
Height (mm/inches)	82 / 3¼
Width (mm/inches)	136 / 5⅓
Mass (kg/lbs)	0.6 / 1.3
Product Life Expectancy	Up to 12 years
Certifications	
CE	EN61000-6-3:1997. EN61000-6-1:1997
Quality Assurance	ISO9001:2008
Intellectual Property	
Trademarks	AVLITE® is a registered trademark of Avlite Systems
Warranty*	3 year warranty
Options Available	<ul style="list-style-type: none"> • Bracket assemblies • Additional cable

• Specifications subject to change or variation without notice
 * Subject to standard terms and conditions
 † Intensity setting subject to solar availability



Visit our web site: www.flightlight.com