



Flight Light Inc.
2708 47th Ave.
Sacramento, California, U.S.A.
95822-3806

PH (916) 394-2800 FX (916) 394-2809
TF (800) 806-3548 EM info@flightlight.com

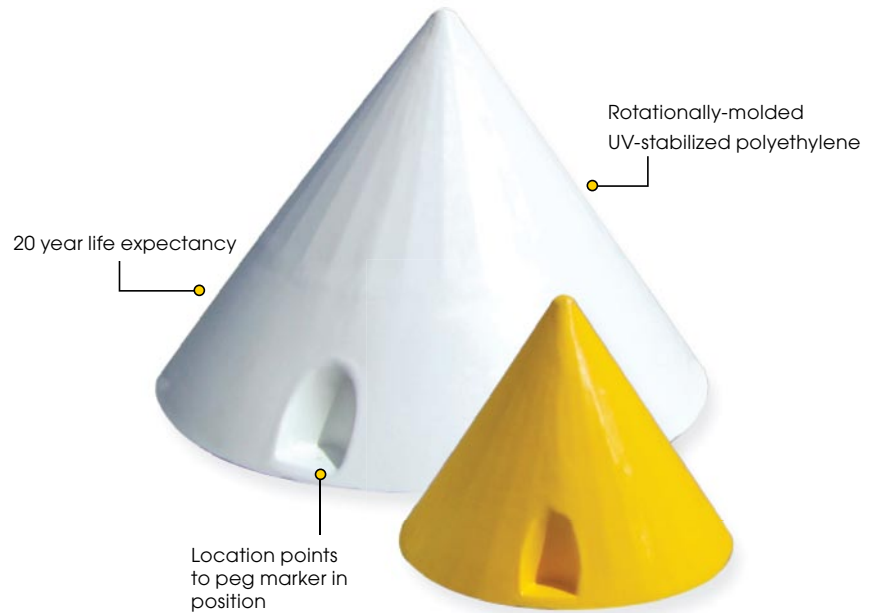
Airfield Markers Avlite

Major Benefits

- Rotationally-molded polyethylene
- Greater stability and frangible
- Can be easily secured
- UV-stabilized
- Molded in color - no need for painting!

Avlite Systems range of airport cone markers are rotationally molded in UV stabilized polyethylene, providing exceptionally long-life without the need for painting.

The markers are made in Australia, and available in 2 sizes to comply with CASA MOS Part 139 – Aerodromes, Section 8.2.1. (Avlite Large Cone: AV-LC, Avlite Mini Cone: AV-MC).



Visit our web site: www.flightlight.com

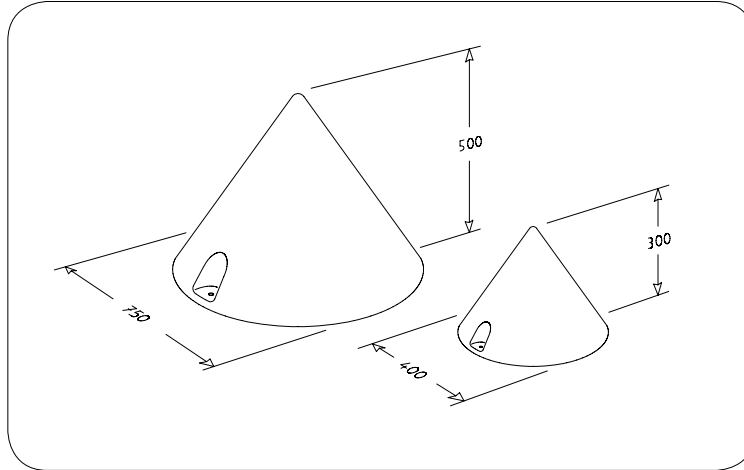


Flight Light Inc.
 2708 47th Ave.
 Sacramento, California, U.S.A.
 95822-3806

PH (916) 394-2800
TF (800) 806-3548

FX (916) 394-2809
EM info@flightlight.com

Airfield Markers
Avlite



SPECIFICATIONS •

Physical Characteristics

Body Material
 Mounting
 Height (mm/inches)
 Width (mm/inches)
 Mass (kg/lbs)
 Product Life Expectancy

Rotationally-moulded UV stabilized virgin polyethylene
 2x 10mm peg holes (optional)
 AV-LC: 500 / 19²/₃ AV-MC: 300 / 11³/₄
 AV-LC: 750 / 29¹/₂ AV-MC: 400 / 15³/₄
 AV-LC: 3.5 / 7³/₄ AV-MC: 1.5 / 3¹/₄
 20 years

Certifications

Quality Assurance

ISO9001:2000

Intellectual Property

Trademarks

AVLITE® is a registered trademark of Avlite systems

Warranty

Full 3 year warranty

- Specifications subject to change or variation without notice

Installation Type	Color
Runway marker	WHITE
Taxiway marker	YELLOW
Apron edge marker	YELLOW
Runway strip marker	WHITE
Helicopter apron edge marker	BLUE
Unserviceability marker	WHITE, with central 25cm RED band
Runway strip marker (displaced threshold)	Split WHITE & RED



Visit our web site: www.flightlight.com