



Flight Light Inc.
2708 47th Ave.
Sacramento, California, U.S.A.
95822-3806

PH (916) 394-2800 FX (916) 394-2809
TF (800) 806-3548 EM info@flightlight.com

AV-SIGN-20 Solar LED Sign Light Avlite

Typical Applications

- Solar LED Sign Light

Major Benefits

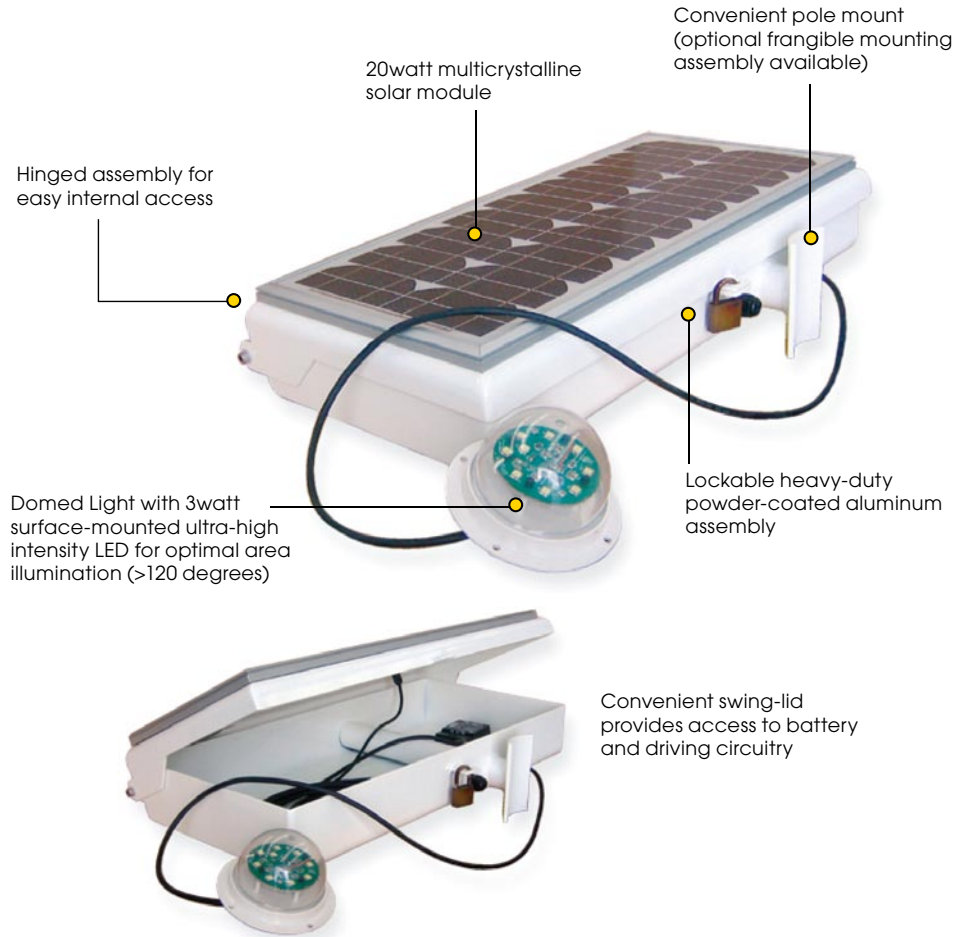
- Area illumination
- Sign lighting
- Ultra high-intensity LEDs
- Extremely low maintenance
- Automatic night activation

Avlite System's Solar LED Sign Light is a remote solar-powered signage light specifically designed for airfield signage illumination.

The unit can be fitted with either 1 or 2 domed LED light fixtures, each featuring a 3 watt surface-mounted ultra-high intensity LED for maximum illumination with an even 120 degree light spread.

The light fixture also features a domed UV stabilized LEXAN® polycarbonate lens and base, and convenient mounting bracket ensuring flexibility and ease of installation.

The Power Box, consisting of a 20 watt multicrystalline solar module, 18Ah SLA battery and charge regulator, is made from 7-stage powder-coated aluminum making the unit extremely robust. The Solar LED Sign Light is designed to withstand a range of environmental conditions, and once installed requires minimal maintenance.



CASE STUDY: Solar powered air-field sign lights for remote air base

- The use of solar power allows this remote air base to externally light signs - eliminating the need to lay cabling.
- Self-contained, frangible airfield sign lights are suited to the harsh desert environment - making them reliable in all weather conditions.
- Minimal heat signature - pilots are able to safely navigate runways, taxiways and apron areas under night vision goggles (NVG) or unaided eye operating conditions.
- Designed to operate to military requirements - encrypted radio-control, custom designed aviation optical lens, 3-year warranty, and replaceable battery.
- Using clean, pollution-free energy from the sun to power the lights offers an eco-friendly lighting solution.



Visit our web site: www.flightlight.com

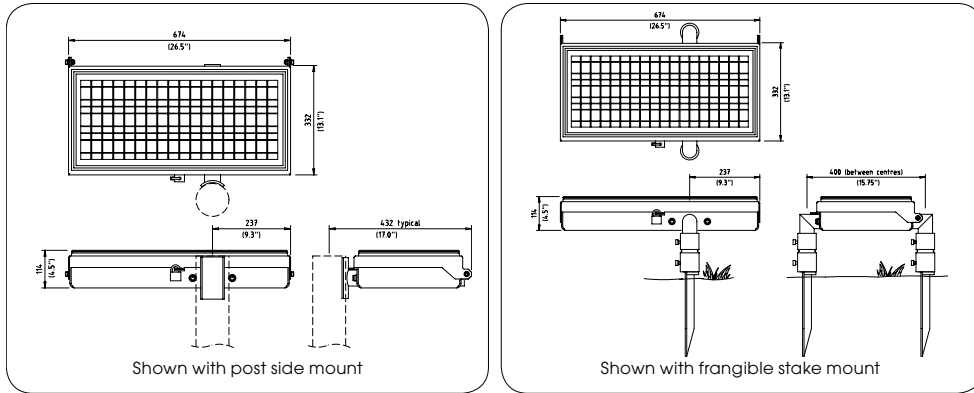


Flight Light Inc.
 2708 47th Ave.
 Sacramento, California, U.S.A.
 95822-3806

PH (916) 394-2800
TF (800) 806-3548

FX (916) 394-2809
EM info@flightlight.com

AV-SIGN-20
Solar LED Sign Light
Avlite



SPECIFICATIONS •

Light Characteristics

Light Source 1 LED cluster in LEXAN® domed luminaires (standard)
 Available Colours White
 Light Divergence (degrees) 120
 LED Life Expectancy (hours) 100,000

Electrical Characteristics

Current Draw (mA) 250mA per light
 Circuit Protection Integrated
 Operating Voltage (v) 12
 Autonomy (days) 6
 Temperature Range -40 to 80 °C

Solar Characteristics

Solar Module Type Multicrystalline
 Output (watts) 20
 Solar Module Efficiency (%) 14
 Charging Regulation Regulated

Power Supply

Battery Type SLA (Sealed Lead Acid)
 Battery Capacity (Ah) 18
 Nominal Voltage (v) 12

Physical Characteristics

Body Material (Domed Light Source) LEXAN® Polycarbonate - UV stabilized
 Lens Material LEXAN® Polycarbonate - UV stabilized
 Body Material (Power Box) 7-stage powder-coated aluminum
 Mounting Post or stake mount available
 Mass (kg/lbs) 9 / 19^{3/4}
 Product Life Expectancy Up to 12 years

Certifications

CE EN61000-6-3:1997, EN61000-6-1:1997
 Quality Assurance ISO9001:2000

Intellectual Property

Trademarks AVLITE® is a registered trademark of Avlite Systems

Warranty

Options Available Full 3 year warranty

Options Available

- Mounting assemblies

• Specifications subject to change or variation without notice

Visit our web site: www.flightlight.com