



Flight Light Inc.  
2708 47th Ave.  
Sacramento, California, U.S.A.  
95822-3806

PH (916) 394-2800    FX (916) 394-2809  
TF (800) 806-3548    EM info@flightlight.com

## AV10 LED Obstruction Light Avlite

### Typical Applications

- 12v Obstruction Light (LIOL A)

### Major Benefits

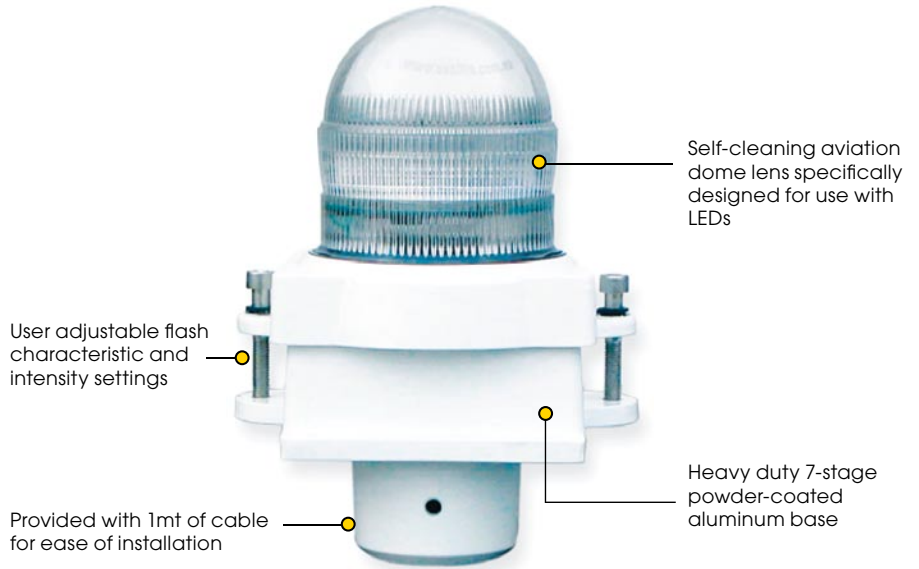
- 5.4km visible range (flashing)
- 12v
- ICAO Compliant AV10 12v Obstruction Light (LIOL A)
- Ultra-high intensity LEDs (no changing globes ever)

The AV10 low intensity LED obstruction light complies with ICAO requirements for obstructions whereby the height does not exceed 45m, and is also suitable for a range of marker lighting applications.

The light uses 20 ultra-high intensity LEDs as a light source and has a visible range of 5.4km. In addition, the AV10 uses the 360 degree LED Reflector (U.S. Pat. No. 6,667,582. AU Pat. No. 778,918) which increases the intensity and uniformity of the horizontal output.

Housed in a 7-stage powder-coated cast aluminum case, the AV10 will provide years of zero-maintenance service, and is available 12v (standard), 24v or 48v.

This equipment meets the requirements of a Low Intensity Type A Obstruction Light, ICAO Annex 14 volume 1, "Aerodrome Design and Operations", Fourth Edition July 2004.



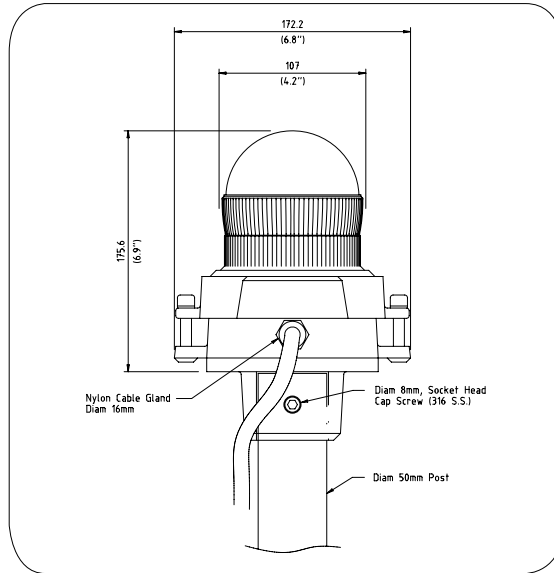
Visit our web site: [www.flightlight.com](http://www.flightlight.com)



Flight Light Inc.  
2708 47th Ave.  
Sacramento, California, U.S.A.  
95822-3806

PH (916) 394-2800 FX (916) 394-2809  
TF (800) 806-3548 EM info@flightlight.com

AV10  
LED Obstruction Light  
Avlite



#### SPECIFICATIONS •

##### Light Characteristics

Light Source 20 ultra-high intensity LEDs  
Available Colours Red (other colours available)  
Peak Intensity (cd) >25 flashing, >10 fixed-on  
Visible Range (nm) >3 flashing, >2 fixed-on  
Horizontal Output (degrees) 360  
Vertical Divergence (degrees) 0 to +10  
Reflector Type Omnidirectional 360° LED Reflector (US Pat. No. 6,667,582, AU Pat. No. 778,918)  
Available Flash Characteristics >250 including fixed-on (user-adjustable)  
Intensity Adjustments Adjustable in 25% increments  
LED Life Expectancy (hours) >100,000

##### Electrical Characteristics

Current Draw (mA) 180  
Circuit Protection Integrated  
Operating Voltage (V) 12  
Temperature Range -40 to 80 °C

##### Physical Characteristics

Body Material 7-stage powder-coated aluminum  
Lens Material LEXAN® Polycarbonate - UV stabilized  
Lens Diameter (mm/inches) 107 / 4 1/4  
Lens Design External optics with interior flute design  
Mounting 50mm OD pole  
Height (mm/inches) 176 / 6 7/8  
Width (mm/inches) 172 / 6 4/5  
Mass (kg/lbs) 1.6 / 3 1/2  
Product Life Expectancy Up to 12 years

##### Certifications

CE EN61000-6-3:1997, EN61000-6-1:1997  
Quality Assurance ISO9001:2000

##### Intellectual Property

Patents US Pat. No. 6,667,582, AU Pat. No. 778,918  
Trademarks AVLITE® is a registered trademark of Avlite Systems

##### Warranty

Full 3 year warranty

##### Options Available

- GPS synchronization
- Additional cable
- Hardwired synchronization
- Other LED colours to suit different applications
- 24v or 48v operating voltages
- IR

• Specifications subject to change or variation without notice

Visit our web site: [www.flightlight.com](http://www.flightlight.com)