



Flight Light Inc.  
2708 47th Ave.  
Sacramento, California, U.S.A.  
95822-3806

PH (916) 394-2800    FX (916) 394-2809  
TF (800) 806-3548    EM info@flightlight.com

**AV07**  
**LED Obstruction Light**  
**Avlite**

### Typical Applications

- 12v Obstruction Light (LIOL A)

### Major Benefits

- 5.4km visible range (flashing)
- 12v
- ICAO Approved AV07 12v Obstruction Light (LIOL A)
- Ultra-high intensity LEDs (no changing globes ever)

The AV07 is a low intensity 12 volt LED marker and obstruction light fixture designed to comply with ICAO requirements for obstructions whereby the height does not exceed 45mt (LIOL A).

Offering superior visibility, the AV07 operates in conjunction with existing or purpose-built power supplies.

The company's optical engineering experience is demonstrated with the precision alignment and focus of the LEDs, made possible through the use of the 360° LED Reflector (US Pat. No. 6,667,582. AU Pat. No. 778,918), increasing the intensity and uniformity of the horizontal output.

Flash adjustment is achieved via two rotary switches accessed through the base of the light.

This equipment meets the requirements of a Low Intensity Type A Obstruction Light, ICAO Annex 14 volume 1, "Aerodrome Design and Operations", Fourth Edition July 2004.



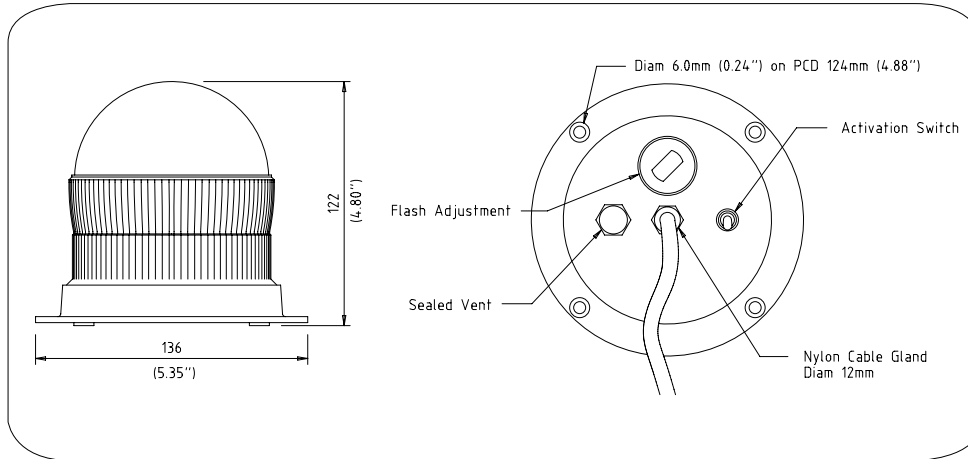
Visit our web site: [www.flightlight.com](http://www.flightlight.com)



**Flight Light Inc.**  
 2708 47th Ave.  
 Sacramento, California, U.S.A.  
 95822-3806

**PH (916) 394-2800    FX (916) 394-2809**  
**TF (800) 806-3548    EM info@flightlight.com**

**AV07**  
**LED Obstruction Light**  
**Avlite**



**SPECIFICATIONS •**

**Light Characteristics**

|                                 |   |
|---------------------------------|---|
| Light Source                    | 20 ultra-high intensity LEDs  |
| Available Colours               | Red (other colours available)   |
| Peak Intensity (cd)             | >25 flashing, >10 fixed-on  |
| Visible Range (nm)              | >3 flashing, >2 fixed-on  |
| Horizontal Output (degrees)     | 360   |
| Vertical Divergence (degrees)   | 0 to +10  |
| Reflector Type                  | Omnidirectional 360° LED Reflector (US Pat. No. 6,667,582. AU Pat. No. 778,918) |
| Available Flash Characteristics | >250 including fixed-on (user-adjustable)                                       |
| Intensity Adjustments           | Adjustable in 25% increments  |
| LED Life Expectancy (hours)     | >100,000  |

**Electrical Characteristics**

|                       |              |
|-----------------------|--------------|
| Current Draw (mA)     | 120          |
| Circuit Protection    | Integrated   |
| Operating Voltage (v) | 12           |
| Temperature Range     | -40 to 80 °C |

**Physical Characteristics**

|                           |  |
|---------------------------|--|
| Body Material             | LEXAN® Polycarbonate – UV stabilized       |
| Lens Material             | LEXAN® Polycarbonate – UV stabilized       |
| Lens Diameter (mm/inches) | 110 / 4 <sup>1</sup> / <sub>3</sub>        |
| Lens Design               | External optics with interior flute design |
| Mounting                  | 4 x 6mm mounting holes                     |
| Height (mm/inches)        | 122 / 4 <sup>4</sup> / <sub>5</sub>        |
| Width (mm/inches)         | 136 / 5 <sup>3</sup> / <sub>8</sub>        |
| Mass (kg/lbs)             | 0.6 / 1 <sup>1</sup> / <sub>3</sub>        |
| Product Life Expectancy   | Up to 12 years                             |

**Certifications**

|                   |                                    |
|-------------------|------------------------------------|
| CE                | EN61000-6-3:1997. EN61000-6-1:1997 |
| Quality Assurance | ISO9001:2000                       |
| Waterproof        | IP68                               |

**Intellectual Property**

|            |   |
|------------|---|
| Patents    | US Pat. No. 6,667,582. AU Pat. No. 778,918          |
| Trademarks | AVLITE® is a registered trademark of Avlite Systems |

**Warranty**

Full 3 year warranty

**Options Available**

- GPS synchronization
- Additional cable
- Hardwired synchronization
- Other LED colours to suit different applications
- IR

• Specifications subject to change or variation without notice

**Visit our web site: [www.flightlight.com](http://www.flightlight.com)**