



Flight Light Inc.
 2708 47th Ave.
 Sacramento, California, U.S.A.
 95822-3806

PH (916) 394-2800 **FX (916) 394-2809**
TF (800) 806-3548 **EM info@flightlight.com**

OBSOLETE: Only Available for Replacement of Existing Systems

AV420-RC
Radio-Controlled
Solar Airfield Light
Avlite

Applications

- Runway Edge
- Helipad Edge
- Threshold
- Approach (Strobe & Fixed)
- Obstruction

Major Features

- Integrated solar/battery system
- 4 x 4 watt solar modules
- 20Ah SLA battery (user-replaceable)
- IP68 water and dust proof
- Global 2.4GHz radio control
- Rugged all aluminum chassis construction
- Full 3 year 100% product warranty
- Optional dual mode visible/infrared output
- Optional GSM remote monitoring and pilot activation



Avlite Systems' AV420-RC is a robust, completely self-contained remote controlled LED light designed for a range of aviation applications including runway, threshold and approach lighting. When set up as a complete airfield, this fully functioning lighting system can be controlled from the tower with no costly cabling or trenching required.

In addition, the AV420-RC system has no other infrastructure, special equipment or expertise requirements for installation. Lower capital and zero maintenance costs are also amongst the major benefits of Avlite's AV420-RC lighting system.

The AV420 Solar Runway Edge Light is ICAO compliant for use in aerodromes with either extraneous lighting (50cd), or without extraneous lighting (25cd), and is capable of creating a temporary, portable or permanent 24hr airfield.

The tough polycarbonate lens is specifi-

cally designed for use with LEDs, and the patented internal 360° Omnidirectional LED Reflector ensures consistency of light output and intensity. The sectored approach light directs all the light output to 180 degrees.

The unit is designed to offer years of maintenance-free reliable service in the world's harshest environments.

The AV420 Solar Runway Edge Light meets the requirements of ICAO Annex 14 Volume 1, "Aerodrome Design and Operations", Fourth edition July 2004.

- Runway Edge - para. 5.3.9 runway edge light - non-precision
- Threshold - para. 5.3.10, 5.3.11 threshold light or end light
- Approach - para. 5.3.4.1A & B, 5.3.4.8 for use as non-instrument or non-precision simple approach lighting system
- Obstruction - para. 6.3.11 for use as low-intensity Type A or Type B obstacle light

Radio Control

Avlite Systems' AV420-RC enables users to directly control the operation of singular or groups of airfield lights via a 2.4GHz handheld transceiver or PC interface.

- Control groups of lights independently
- Activate and deactivate lights
- Change light colors remotely
- Switch between infrared and visible light
- Set lights to group flash synchronization



Visit our web site: www.flightlight.com

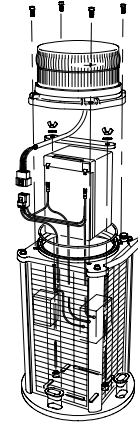
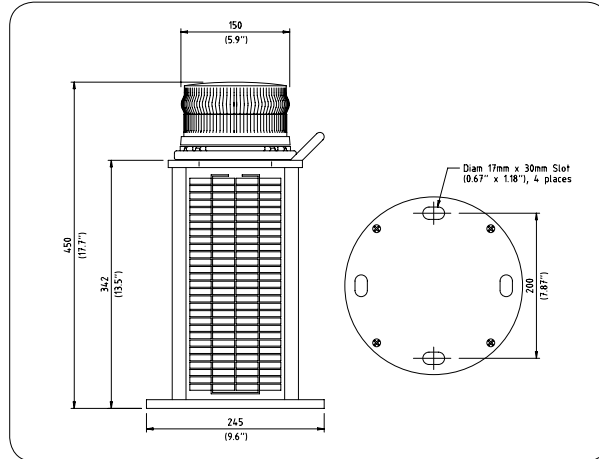


Flight Light Inc.
 2708 47th Ave.
 Sacramento, California, U.S.A.
 95822-3806

PH (916) 394-2800 FX (916) 394-2809
 TF (800) 806-3548 EM info@flightlight.com

**OBSOLETE: Only Available for
 Replacement of Existing Systems**

**AV420-RC
 Radio-Controlled
 Solar Airfield Light
 Avlite**



Convenient user-replaceable battery

SPECIFICATIONS •

Light Characteristics

Light Source
 Available Colours
 High Intensity (temporary)
 Medium Intensity (temporary)
 Standard Intensity (cd)
 Horizontal Output (degrees)
 Vertical Divergence (degrees)
 Reflector Type
 Available Flash Characteristics
 Intensity Adjustments
 LED Life Expectancy (hours)

36 ultra-high intensity LEDs (18 LEDs in the 180 degree approach light)
 Red, Green, White, Amber, Blue, Sectored Combinations
 125cd (white)
 50cd
 >25cd
 360
 0 to +15
 Omnidirectional 360° LED Reflector (US Pat. No. 6,667,582, AU Pat. No. 778,918)
 Fixed-on as standard (>250 available (user-adjustable))
 Adjustable in 25% increments
 >100,000

Electrical Characteristics

Circuit Protection
 Operating Voltage (v)
 Autonomy
 Temperature Range

Integrated
 12
 200 hours at standard intensity
 -40 to 80 °C

Solar Characteristics

Solar Module Type
 Output (watts)
 Solar Module Efficiency (%)
 Charging Regulation

Multicrystalline
 16 (4 x 4watt)
 14
 Regulator controlled

Power Supply

Battery Type
 Battery Capacity (Ah)
 Nominal Voltage (v)

SLA (Sealed Lead Acid)
 20
 12

Physical Characteristics

Body Material
 Lens Material
 Lens Diameter (mm/inches)
 Lens Design
 Mounting
 Height (mm/inches)
 Width (mm/inches)
 Mass (kg/lbs)
 Product Life Expectancy

7-stage powder-coated aluminum
 LEXAN® Polycarbonate - UV stabilized
 150 / 5⁷/₈
 External optics with interior flute design
 4 x 17mm holes on 200mm PCD
 450 / 17³/₄
 245 / 9²/₃
 10.8 / 23³/₄
 Up to 12 years

Certifications

CE
 Quality Assurance
 Waterproof/Dustproof

EN61000-6-3:1997, EN61000-6-1:1997
 ISO9001:2000
 IP68

Intellectual Property

Patents
 Trademarks

US Pat. No. 6,667,582, AU Pat. No. 778,918
 AVLITE® is a registered trademark of Avlite Systems

Warranty

Full 3 year warranty

Options Available

- IR
- Pilot activated
- GSM monitoring

• Specifications subject to change or variation without notice

Visit our web site: www.flightlight.com