



Flight Light Inc.
2708 47th Ave.
Sacramento, California, U.S.A.
95822-3806

PH (916) 394-2800 FX (916) 394-2809
TF (800) 806-3548 EM info@flightlight.com

atg airports
IRIS IR861T(L)
LED Taxiway Edge Light
FAA Compliant: L-861T(L)

Compliance

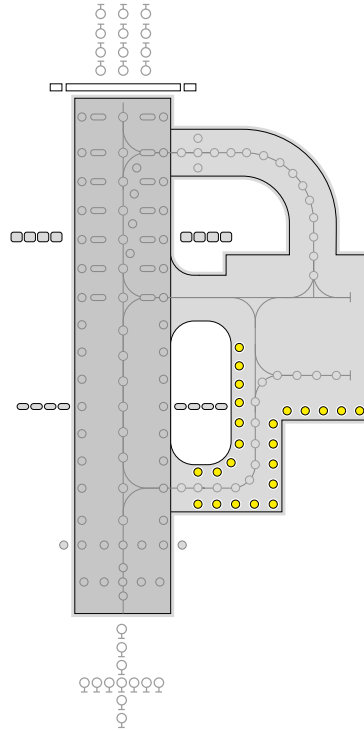
FAA Compliant: L-861T(L)
FAA Engineering Brief #67
ICAO Annex 14, Vol. 1
IEC 61827
EASA
Stannag 3316 (NATO)

Applications

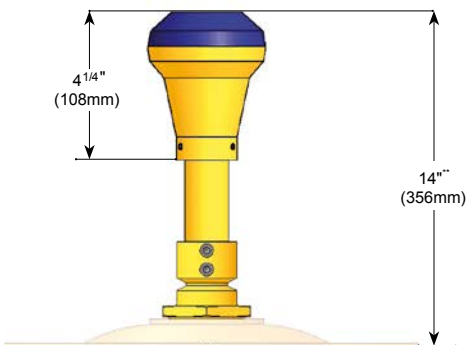
CAT III all weather operation airfield ground lighting (agl) systems.
Elevated omni-directional LED lights mark the outlines of the taxiway and apron edge in blue.

Features

- Long LED life expectancy.
- Reduces power consumption.
- Lightweight and robust due to its predominantly aluminum alloy construction which also gives good corrosion resistance.
- Smooth outer glass surface resists build up of dirt.



Dimensions



FIXTURE HEIGHT
14" (356mm) standard fixture height. Extendable from 14" (356mm) in increments of 2" (50.8mm) to a maximum 30" (762mm) for FAA applications in snow areas. Dimensions based on L867 Base Mounting Plate.

Visit our web site: www.flightlight.com

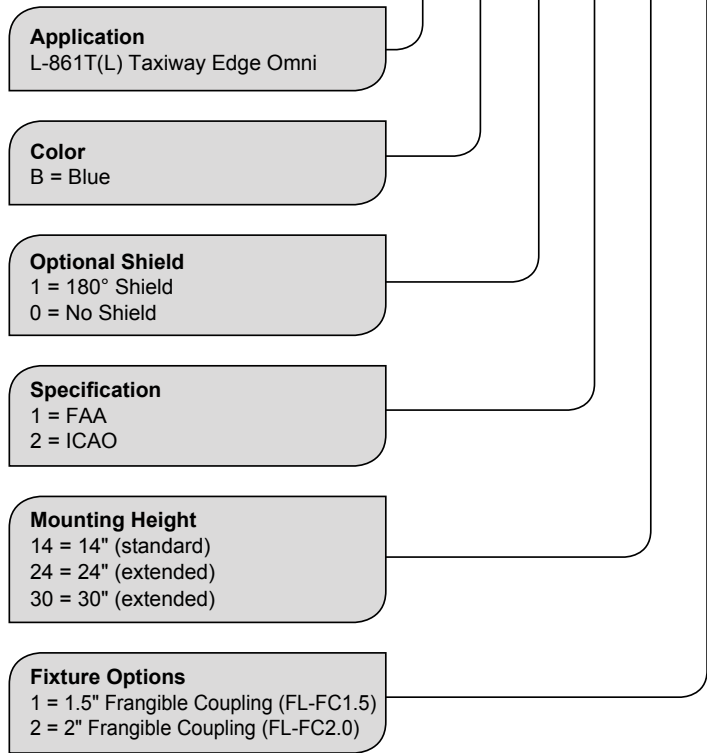


Flight Light Inc.
 2708 47th Ave.
 Sacramento, California, U.S.A.
 95822-3806

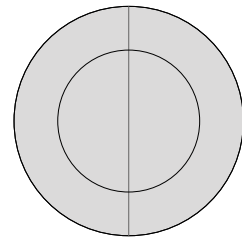
PH (916) 394-2800 FX (916) 394-2809
 TF (800) 806-3548 EM info@flightlight.com

atg airports
IRIS IR861T(L)
LED Taxiway Edge Light
FAA Compliant: L-861T(L)

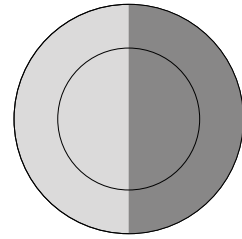
Ordering Codes: FL-IR861 (T(L))



Beam Options



IR861T(L)
 Omni Directional



IR861T(L)
 Omni Directional
 with 180° Shield

Common Replacement Parts

80-IR861TLB	Light fixture only (riser & coupling not included)
FL-FC1.5	Frangible metal coupling, 1.5"
FL-FC2.0	Frangible metal coupling, 2.0"

Packing Data

Net weight: 1.9 lb. (0.86kg)
 Gross weight: 2.2 lb. (1.0kg)(boxed)
 Carton size: 14.17" x 4.72" x 4.72" (L x W x H)
 (360mm x 120mm x 120mm)

Visit our web site: www.flightlight.com



Flight Light Inc.
 2708 47th Ave.
 Sacramento, California, U.S.A.
 95822-3806

PH (916) 394-2800 **FX (916) 394-2809**
TF (800) 806-3548 **EM info@flightlight.com**

atg airports
IRIS IR861T(L)
LED Taxiway Edge Light
FAA Compliant: L-861T(L)

Electrical Performance

Application	Photometry				Color	Typical Power Consumption - Watts (VA) @ 6.6A					
	ICAO (Para)	FAA (Table)	Main Beam Aperture Horiz(°) Vert(°)			Per Beam Watts	Fixture* Watts (VA) PF	Tx Primary** Watts (VA) PF		TX	
Taxiway Edge (Omni)	5.3.18.7/8	3 Note (b)	0°-359°	0°-6°	Blue	0.75	4.60 (4.67) 0.987	12.8 (13.6) 0.94		10W	
Taxiway Edge (Omni)	5.3.18.7/8	3 Note (b)	0°-359°	0°-6°	Blue	0.75	4.62 (4.66) 0.992	13.9 (15.7) 0.89		25W	
Taxiway Edge (Omni)	5.3.18.7/8	3 Note (b)	0°-359°	0°-6°	Blue	0.75	4.61 (4.65) 0.994	16.1 (19.7) 0.82		45W	

* as measured at the input leads of the fixture.

** as measured across the primary winding of an appropriately sized isolation transformer with a total fixture and transformer secondary length not exceeding - 72" (1.85m). CCR shall be suitably sized for the indicated transformer VA for the relevant isolating transformer utilized.

Notes: Isolating transformer shall be suitably sized to accommodate specific secondary and other applicable losses.

Environmental Conditions

- ▶ Ambient Temperature: -67°F to +131°F (-55°C to +55°C)
- ▶ Storage Temperature: -67°F to +131°F (-55°C to +55°C)
- ▶ Ingress Protection: IP24

Photometry

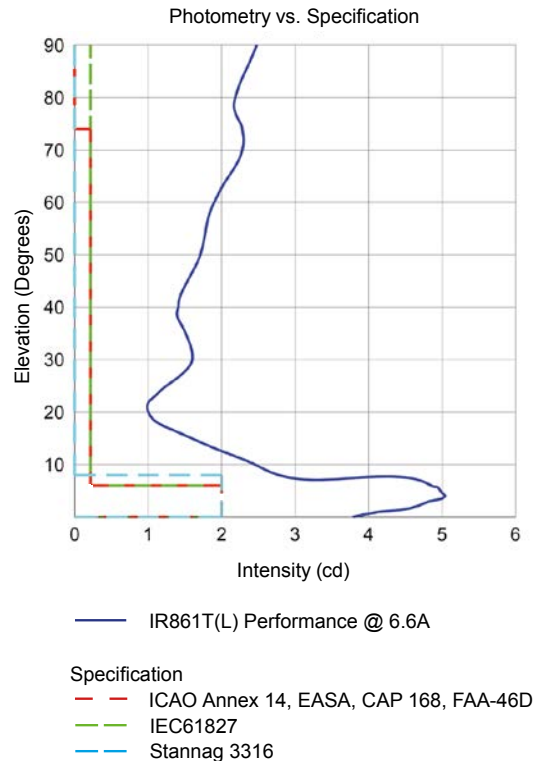
Specification Elevated Edge

Color	Blue
Main rect. minimum intensity 0°-6°	2 cd
Second rect. minimum intensity 6°-90°	0.2 cd

Typical Measured Values

Elevated Edge

Color	Blue
Main rect. minimum intensity 0°-6°	3.0 cd
Main rect. minimum intensity 0°-8° (Stannag)	2.6 cd
Second rect. minimum intensity 6°-90°	1.0 cd



Visit our web site: www.flightlight.com