

# L-864 Red Medium Intensity LED Flashing Obstruction Beacon HORIZON™ 2009 DC Series



## Compliance and Applications

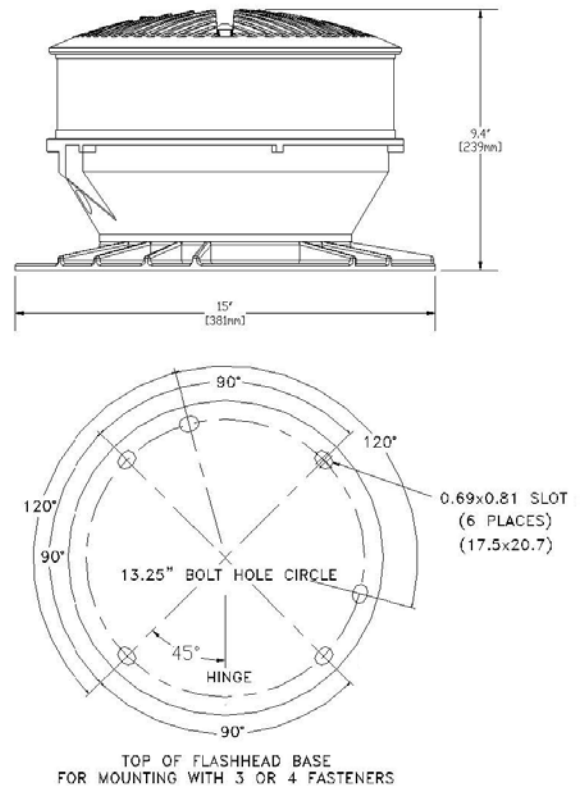
FAA Type: L-864 Medium Intensity Lighting  
 ICAO Type: Type B Medium Intensity Obstacle Light  
 ETL Certified: FAA Advisory Circular 150/5345-43G  
 Compliant to: ICAO Annex 14, MIL-C-7989, DGAC of Mexico, CAR 621

The HORIZON Red LED Medium Intensity Lighting System is a nighttime red LED light. Its self-contained power supply, with available GPS sync and day/night sensor, simplifies wiring but also accepts external signals if desired. Advanced features include replaceable LED modules, cutting edge optics, individual LED monitoring/bypass, and active lightning protection (patent pending). The unit also monitors the system and provides a NO or NC alarm contact upon any system failure. An integrated WiFi is also available to provide real time data from the flashhead from up to 2 miles away via computer or hand held device.

Medium intensity red obstruction lighting systems are typically used on structures between 150' (45M) and 2,200' (670M) above ground level to provide aviation safety. The use of a medium intensity red LED during the nighttime typically requires the need to paint the structure with aviation orange and white stripes for daytime marking. The use of a red flashing LED at night provides a "community friendly" light. Medium intensity obstruction lights are designed for lighting tall structures such as communication, television and radio towers, chimneys, cooling towers, tall buildings, catenary river crossings and bridges.

## Features

- Original equipment manufacturer: One source for fixtures and complete lighting systems.
- Single flashhead construction: Compact design.
- Fail-safe redundancy: Automatic bypass of failed LEDs for continued operation.
- Wiring compatibility: Existing tower wiring can be used for retrofit applications, environmentally sealed connectors, fewest number of control wiring on the market.
- Interchangeable LED modules: Single screw access, built-in safety switch, fully field serviceable unit.
- Cutting edge optics design: Exclusively designed 'Eklipse' optics package, community friendly lighting system.
- Lightest flashhead: 17 lb., ease of handling and maintenance.
- DC Input: 48VDC



## Specifications

- Unit Weight: 17 lb. (7.7kg)
- Supply Voltage: 48VDC
- Average Power: 25 Watts
- Operating Temperature: -40°C to +55°C (-40°F to +131°F)

## Part Numbers

- 50-0002-010: L-864 LED, MI, HORIZON, 48VDC, 20-40FPM
- 50-0002-010A: L-864 LED, MI, HORIZON, 48VDC, 20-40FPM, GPS
- 50-0002-010B: L-864 LED, MI, HORIZON, 48VDC, 20-40FPM, GPS/PCELL
- 50-0002-010C: L-864 LED, MI, HORIZON, 48VDC, 20-40FPM, GPS/PCELL/WiFi

Flight Light Inc. | 1.800.806.3548 | int 001.916.394.2800 | ph 916.394.2800 | fax 916.394.2809  
 www.flightlight.com | sales@flightlight.com | 2708 47th Ave., Sacramento, CA, USA, 95822-3806

All specifications are subject to change without prior notice. © Flight Light Inc. 5-17-2016

# 70 Series LED Control System



## Compliance and Applications

FAA AC 150/5345-43, ICAO Annex 14, CAR 621.19

The 70 Series lighting controls combine the finest in digital circuitry with rugged electromechanical hardware to yield the industry's most comprehensive obstruction lighting controls. Standard models are available for all common FAA and ICAO applications. The 70 Series modular design allows for custom controls for almost any combination of flashing HORIZON™ beacons and sidelights. All models include a NEMA 4 outdoor housing and a calibrated photocell for automatic day/night switching. Optional Stainless Steel housing is available upon request. A photocell override switch is standard on all systems, facilitating troubleshooting or maintenance. All controls provide comprehensive status indicators and alarm contacts for easy connection to remote monitoring systems.

## Features

- Controls to flash multiple beacons per FAA and ICAO specifications
- Modular design for easy customization
- Color coded terminal blocks
- Lightning protection provided by:
  - Fuse protection
  - MOV surge suppressors
  - Toroidal current sensors
- Standard with NEMA 4 enclosures

- Number of sidelight lamps being monitored can be easily changed by setting dip-switches
- Bi-color red/green LED status indicators provide instant indication of alarm and control status
- Normally open and normally closed alarm contacts are both available
- Individual alarm contacts and control status is provided for:
  - Control power failure
  - Day/night mode status
  - Each HORIZON™ Beacon
  - Each HORIZON™ level of steady burning obstruction lights
  - Latch Alarm for Dual LED Lighting fixtures

## Alarm Contacts / Control Status

- Primary and auxiliary alarm contacts provided

## Models

Model #	System	Lighting Type	Structure Height	Input Voltage (50/60Hz)	Beacon	Sidelight Levels
70-0001-001	FAA E-1	LED	200' - 350'	120V	1 - L864/865	1 - (1-4) L-810
70-0001-003	FAA A-1	LED	151' - 350'	120V	1 - L-864	1 - (1-4) L-810
70-0001-005	FAA D-1	LED	200' - 350'	120V	1 - L-865	0
70-0001-011	FAA E-1	LED	200' - 350'	230V	1 - L864/865	1 - (1-4) L-810
70-0001-013	FAA A-1	LED	151' - 350'	230V	1 - L-864	1 - (1-4) L-810
70-0001-015	FAA D-1	LED	200' - 350'	230V	1 - L-865	0
70-0001-021	FAA E-1	LED	200' - 350'	24VDC	1 - L864/865	1 - (1-4) L-810
70-0001-023	FAA A-1	LED	151' - 350'	24VDC	1 - L-864	1 - (1-4) L-810
70-0001-025	FAA D-1	LED	200' - 350'	24VDC	1 - L-865	0
70-0004-001	FAA E-2	LED	200' - 350'	120V	4 - L864/865	2 - (1-4) L-810
70-0004-003	FAA A-2	LED	151' - 350'	120V	4 - L-864	2 - (1-4) L-810
70-0004-005	FAA D-2	LED	200' - 350'	120V	4 - L-865	0
70-0004-011	FAA E-2	LED	200' - 350'	230V	4 - L864/865	2 - (1-4) L-810
70-0004-013	FAA A-2	LED	151' - 350'	230V	4 - L-864	2 - (1-4) L-810
70-0004-015	FAA D-2	LED	200' - 350'	230V	4 - L-865	0
70-0008-001	FAA E	LED	200' - 500'	120V	8 - L864/865	3 - (1-4) L-810
70-0008-003	FAA A	LED	151' - 500'	120V	8 - L-864	3 - (1-4) L-810
70-0008-005	FAA D	LED	200' - 500'	120V	8 - L-865	0
70-0008-011	FAA E	LED	200' - 500'	230V	8 - L864/865	3 - (1-4) L-810
70-0008-013	FAA A	LED	151' - 500'	230V	8 - L-864	3 - (1-4) L-810
70-0008-015	FAA D	LED	200' - 500'	230V	8 - L-865	0



Flight Light Inc. | 1.800.806.3548 | int 001.916.394.2800 | ph 916.394.2800 | fax 916.394.2809  
 www.flightlight.com | sales@flightlight.com | 2708 47th Ave., Sacramento, CA, USA, 95822-3806

All specifications are subject to change without prior notice. © Flight Light Inc. 5-17-2016