

Solar Powered FAA L-810 & FAA L-810(F) Low Intensity Obstruction Light

AV-C310-L810, AV-C410-L810 & AV-C415-L810

Compliance

- FAA L-810 Obstruction Light, FAA AC150/5345-43G Specification for Obstruction Lighting Equipment (photometrics only)
- FAA L-810(F) Obstruction Light, FAA AC70/7460-1L Specification for Obstruction Lighting Equipment

Applications

- Solar Powered Low Intensity Obstruction Light for temporary applications
- Lighting of wind turbines during the construction phase per FAA AC70/7460-1L

Features

- LED optic
- Integrated solar/battery system
- Field replaceable components
- IP68 waterproof rating
- Available in three power supply sizes to suit solar profiles for most locations
- Optional GSM Monitoring
- Optional GPS Synchronization

Avlite's Solar powered photometrically compliant FAA L-810 Low Intensity Obstruction Light is a robust, completely self-contained solar powered LED light.

The solar array charges an internal battery during daylight hours, and at dusk the light will automatically begin operation.

The rugged design of this self-contained light ensures in excess of 12 years reliable service with minimal ongoing maintenance. Specifically designed for the harshest of environments, this light features a 7-stage, powdercoated aluminum top, base and internal chassis in high visibility colors for daytime recognition. The rubber, extruded corners provide additional impact resistance.

The advanced light optic uses a single power LED. The tough polycarbonate aviation lens is specifically designed for use with LEDs to maximize light intensity and uniformity. The light head is interchangeable between units, and can be replaced onsite by the operator if required.



Flight Light Inc. | 1.800.806.3548 | int 001.916.394.2800 | ph 916.394.2800 | fax 916.394.2809
www.flightlight.com | sales@flightlight.com | 2708 47th Ave., Sacramento, CA, USA, 95822-3806

All specifications are subject to change without prior notice. © Flight Light Inc. 10-7-2016



The unit can be supplied in varying color outputs to suit other applications and is also available in IR only for NVG compatibility configuration.

Optional GPS Synchronization

Avlite has utilized the latest advancements in GPS technology to develop an internal Synchronization system that can be incorporated into the lights. Using overhead satellites, multiple obstruction lights set to the same flash pattern will flash in unison. Set to 30fpm, the light is compliant to the FAA AC70/7460-1L, L-810(F).

Optional GSM Cell-Phone Monitoring

The lights are available with GSM Cell-Phone Monitoring, enabling operators to remotely monitor the status of their aviation installations. The system can also be configured to send out alarm SMS text messages to designated cellular telephone numbers. Users can also have alarms and reports sent to designated email addresses.

Optional IR Remote Control

The IR remote is used to communicate with Avlite lighting products that have an IR sensor fitted. The remote control is used to control functions such as flash code and light intensity.

SPECIFICATIONS * *	AV-C310-L810	AV-C410-L810	AV-C415-L810
Light Characteristics			
Light Source	As tested AV-OL-L810-12-R LED	As tested AV-OL-L810-12-R LED	As tested AV-OL-L810-12-R LED
Available colors	Red as standard. Other colors available on request, including IR	Red as standard. Other colors available on request, including IR	Red as standard. Other colors available on request, including IR
Peak Intensity (cd) †	Photometrics comply with FAA L-810 obstruction lights	Photometrics comply with FAA L-810 obstruction lights	Photometrics comply with FAA L-810 obstruction lights
Horizontal Output (degrees)	360	360	360
Vertical Divergence (degrees)	10°	10°	10°
Reflector Type	Single LED Optic	Single LED Optic	Single LED Optic
Flash Characteristics	L-810: Steady-on L-810(F): 30fpm	L-810: Steady-on L-810(F): 30fpm	L-810: Steady-on L-810(F): 30fpm
LED Life Expectancy (hours)	>100,000	>100,000	>100,000
Electrical Characteristics			
Circuit Protection	Integrated	Integrated	Integrated
Operating Voltage (V)	12	12	12
Temperature Range	-40 to 80°C	-40 to 80°C	-40 to 80°C
Solar Characteristics			
Solar Module Type	Multicrystalline	Multicrystalline	Multicrystalline
Output (watts)	12 (4 x 3watt)	20 (4 x 5watt)	24 (4 x 6watt)
Charging Regulation	Microprocessor controlled	Microprocessor controlled	Microprocessor controlled
Power Supply			
Battery Type	SLA (Sealed Lead Acid)	SLA (Sealed Lead Acid)	SLA (Sealed Lead Acid)
Battery Capacity (Ah)	12	24	24
Nominal Voltage (V)	12	12	12
Typical Autonomy (nights)	Steady-on: >10	Steady-on: >20	Steady-on: >20
Physical Characteristics			
Body Material	7-stage powder-coated aluminum	7-stage powder-coated aluminum	7-stage powder-coated aluminum
Lens Material	LEXAN® Polycarbonate – UV stabilized	LEXAN® Polycarbonate – UV stabilized	LEXAN® Polycarbonate – UV stabilized
Lens Diameter (mm/inches)	107 / 4¼	107 / 4¼	107 / 4¼
Lens Design	Single LED Optic	Single LED Optic	Single LED Optic
Mounting	4 x 17mm holes on 200mm PCD	4 x 17mm holes on 200mm PCD	4 x 17mm holes on 200mm PCD
Height (mm/inches)	375 / 14¾	470 / 18½	568 / 22¾
Width (mm/inches)	233 / 9¼	233 / 9¼	233 / 9¼
Depth (mm/inches)	233 / 9¼	233 / 9¼	233 / 9¼
Mass (kg/lbs)	9.1 / 20	13.9 / 30½	14.6 / 32¼
Product Life Expectancy	12 years plus	12 years plus	12 years plus
Environmental Factors			
Humidity	0 to 100%, MIL-STD-810F	0 to 100%, MIL-STD-810F	0 to 100%, MIL-STD-810F
Icing	3.41kg per square cm / 48.5lbs per square inch	3.41kg per square cm / 48.5lbs per square inch	3.41kg per square cm / 48.5lbs per square inch
Wind Speed	Up to 160kph / 100mph	Up to 160kph / 100mph	Up to 160kph / 100mph
Shock	MIL-STD-202G, Test Condition G, Method 213B	MIL-STD-202G, Test Condition G, Method 213B	MIL-STD-202G, Test Condition G, Method 213B
Vibration	MIL-STD202G, Test Condition B, Method 204	MIL-STD202G, Test Condition B, Method 204	MIL-STD202G, Test Condition B, Method 204
Compliance			
CE	EN61000-6-3:2007. EN61000-6-1:2007	EN61000-6-3:2007. EN61000-6-1:2007	EN61000-6-3:2007. EN61000-6-1:2007
Quality Assurance	ISO9001:2008	ISO9001:2008	ISO9001:2008
FAA (Photometrics only)	L-810 Steady-burning Red Obstruction Light L-810(F) flashing (30fpm) Red Obstruction Light	L-810 Steady-burning Red Obstruction Light L-810(F) flashing (30fpm) Red Obstruction Light	L-810 Steady-burning Red Obstruction Light L-810(F) flashing (30fpm) Red Obstruction Light
Waterproof	IP68	IP68	IP68
Intellectual Property			
Trademarks	AVLITE® is a registered trademark of Avlite Systems	AVLITE® is a registered trademark of Avlite Systems	AVLITE® is a registered trademark of Avlite Systems
Warranty *			
	5 year warranty	5 year warranty	5 year warranty
Options Available			
	<ul style="list-style-type: none"> • IR Controller • GSM Cell-Phone Monitoring • GPS Synchronization • IR LED • External ON/OFF Switch • External Battery Charging Port • Solar Booster™ 	<ul style="list-style-type: none"> • IR Controller • GSM Cell-Phone Monitoring • GPS Synchronization • IR LED • External ON/OFF Switch • External Battery Charging Port • Solar Booster™ 	<ul style="list-style-type: none"> • IR Controller • GSM Cell-Phone Monitoring • GPS Synchronization • IR LED • External ON/OFF Switch • External Battery Charging Port • Solar Booster™



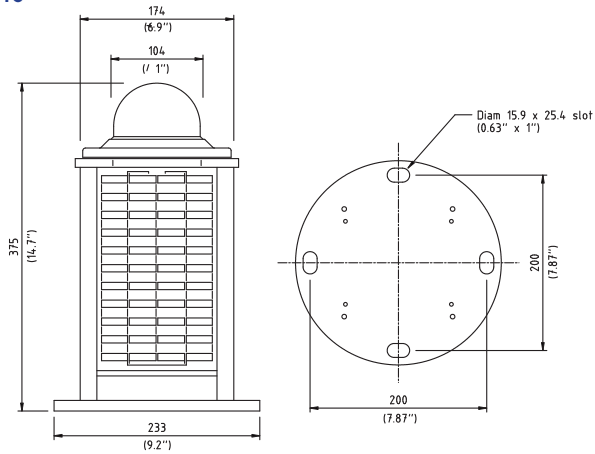
- Specifications subject to change or variation without notice
- * Subject to standard terms and conditions
- † Intensity setting subject to solar availability



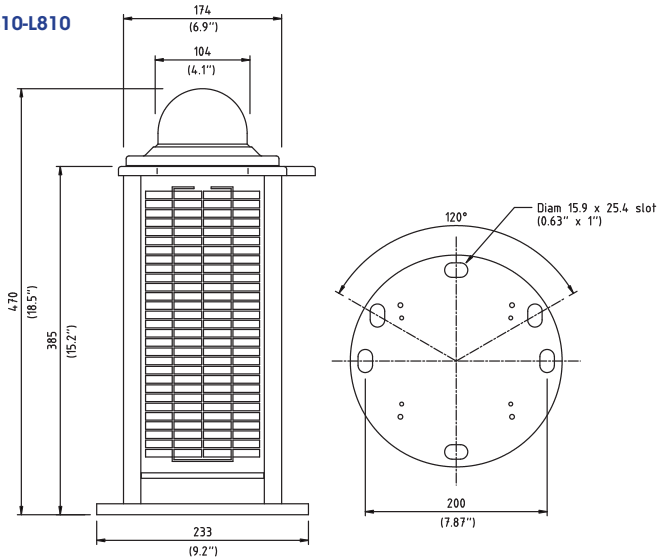
Flight Light Inc. | 1.800.806.3548 | int 001.916.394.2800 | ph 916.394.2800 | fax 916.394.2809
www.flightlight.com | sales@flightlight.com | 2708 47th Ave., Sacramento, CA, USA, 95822-3806

All specifications are subject to change without prior notice. © Flight Light Inc. 10-7-2016

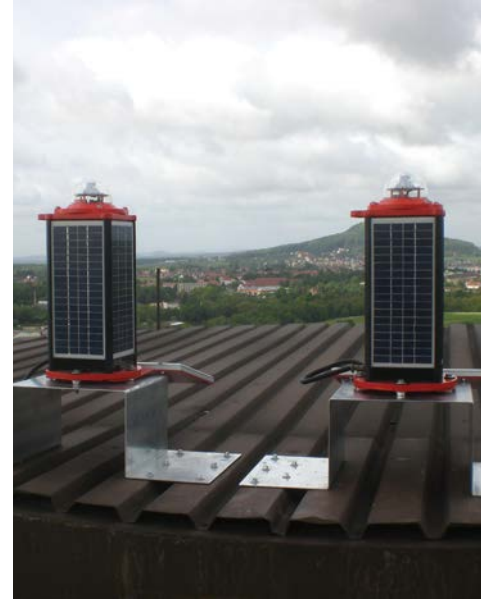
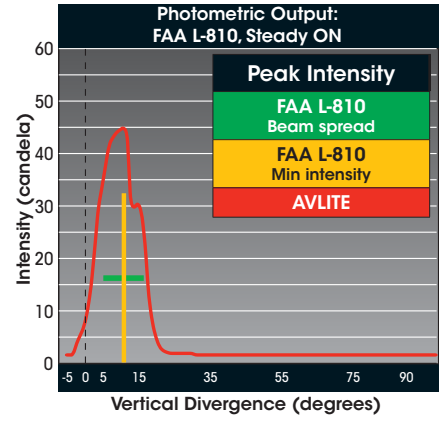
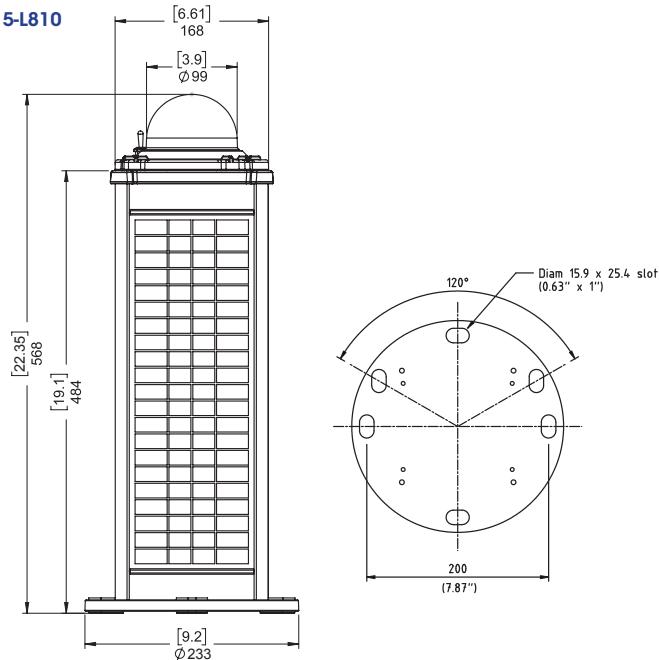
AV-C310-L810



AV-C410-L810



AV-C415-L810



Flight Light Inc. | 1.800.806.3548 | int 001.916.394.2800 | ph 916.394.2800 | fax 916.394.2809
 www.flightlight.com | sales@flightlight.com | 2708 47th Ave., Sacramento, CA, USA, 95822-3806

All specifications are subject to change without prior notice. © Flight Light Inc. 10-7-2016