



Flight Light Inc.
 2708 47th Ave.
 Sacramento, California, U.S.A.
 95822-3806

PH (916) 394-2800 FX (916) 394-2809
 TF (800) 806-3548 EM info@flightlight.com

AL-852 Fully-Flush Taxiway Centerline and Stop Bar Light

Compliance and Applications

Stanag 3316
 BS 3224 Part 5 1998
 ICAO Annex 14

Our AL-852 fixtures are suitable for use as inset taxiway centerline and stop-bar lights.

Features

- 100% fully-flush, no obstacle for traffic on taxiway.
- For bi or unidirectional applications.
- Strong cast aluminium construction.
- Corrosion resistant anodized finish.
- Easy to install, easy to maintain.
- No build-up of snow or dirt in front of lens.
- No lens damage from sweeping or snow removal.

Specifications

- Protrusion above grade: 0"
- Diameter: 8" (203 mm)
- Fixture height: 3.8" (96 mm)
- Encapsulation: IP67

Replacement Parts

P/N	Name
AL-852LHC-L	Cartridge Assembly: includes laminated lens (item #3), O-ring R3162 (item #4), lamp holder (item #5), LED (item #8A), LED Driver (item #8B), cylinder spring (item #9), MBX20 DIN 963 SS screw (item #1), O-ring R147 (item #10), end closure (item #11), cable gland (item #12), male fixture lead (item #13). Specify LED color when ordering.
AL-852EC	End Closure Assembly: includes O-ring R147 (item #10), end closure (item #11), cable gland (item #12), male fixture lead (item #13).

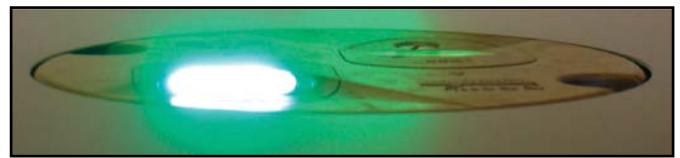
Legacy Halogen Parts (not shown)

LA-Q50MR16FL	Lamp (120V)
AL-852CFG	Green color filter
AL-852CFR	Red color filter
AL-852CFY	Yellow color filter
AL-852-FS	Fixing spring

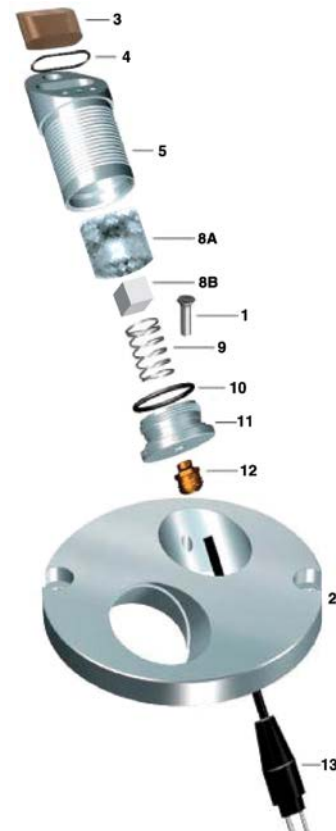
* Component breakout is for legacy fixtures which are field replaceable. The current AL-852 fixture uses the L4 LED array which is factory replaceable.



AL-852



100% fully-flush



Visit our web site: www.flightlight.com