



Flight Light Inc.
2708 47th Ave.
Sacramento, California, U.S.A.
95822-3806



L-864 / L-865
Dual LED Red/White
Flashing Obstruction Beacon
HORIZON™ Series

PH (916) 394-2800 FX (916) 394-2809
TF (800) 806-3548 EM info@flightlight.com

Compliance and Applications

FAA Type: L-864 / L-865
Medium Intensity Lighting
ICAO Type: Type A/B Medium
Intensity Obstacle Light
ETL Certified:
FAA Advisory Circular 150/5345-43G

Compliant to:
ICAO Annex 14, MIL-C-7989,
DGAC of Mexico, CAR 621.19

Our dual medium intensity LED strobe system provides daytime white and nighttime red lights in one unit. Its self-contained power supply, with available GPS sync and day/night sensor, simplifies wiring but also accepts external signals if desired. Advanced features include replaceable LED modules, cutting edge optics (patent pending), individual LED monitoring/bypass, active lightning protection (patent pending), built-in testing, micro processor control and fully field serviceable unit. The unit also monitors the system and provides a NO or NC alarm contact upon any system failure.

Medium intensity obstruction lighting systems are typically used on structures between 150' (45m) and 500' (150m) above ground level to provide aviation safety. The use of a medium intensity white strobe during the daytime typically eliminates the need to paint the structure with aviation orange and white stripes. The use of a red flashing beacon at night provides a "community friendly" light. Medium intensity obstruction lights are designed for lighting tall structures such as communication, television and radio towers, wind turbines, smokestacks, cooling towers, tall buildings, catenary river crossings and bridges.

Why Our L-864/L-865 Beacon is Better

- Original equipment manufacturer: One source for fixtures and complete lighting systems.
- Single flashhead construction: Compact design for dual (red/white) operation.
- Failsafe redundancy: Automatic switching for nighttime redundancy of dual systems.
- Wiring compatibility: Existing wiring can be used for retrofit applications, environmentally sealed connector, fewest number of control wiring on the market.



- Interchangeable LED modules: Single screw access, built-in safety interlock switch, fully field serviceable unit.
- Cutting edge optics design: Exclusively designed 'Eclipse' optics package (patent pending), community friendly lighting system.
- Advanced systems: micro processor controlled, built-in testing.
- Lightest flashhead: 17 lb., ease of handling and installation.
- Universal input: Operating voltage of 95-277 VAC, 50/60Hz.

Specifications

- Unit weight: 17 lb. (7.7kg)
- Supply voltage: 95-277 VAC 50/60Hz universal input
- Average power: 50 watts day, 30 watts night (120VAC)
- Operating temperature: -40° to +55° C (-40° to 131° F)

Visit our web site: www.flightlight.com

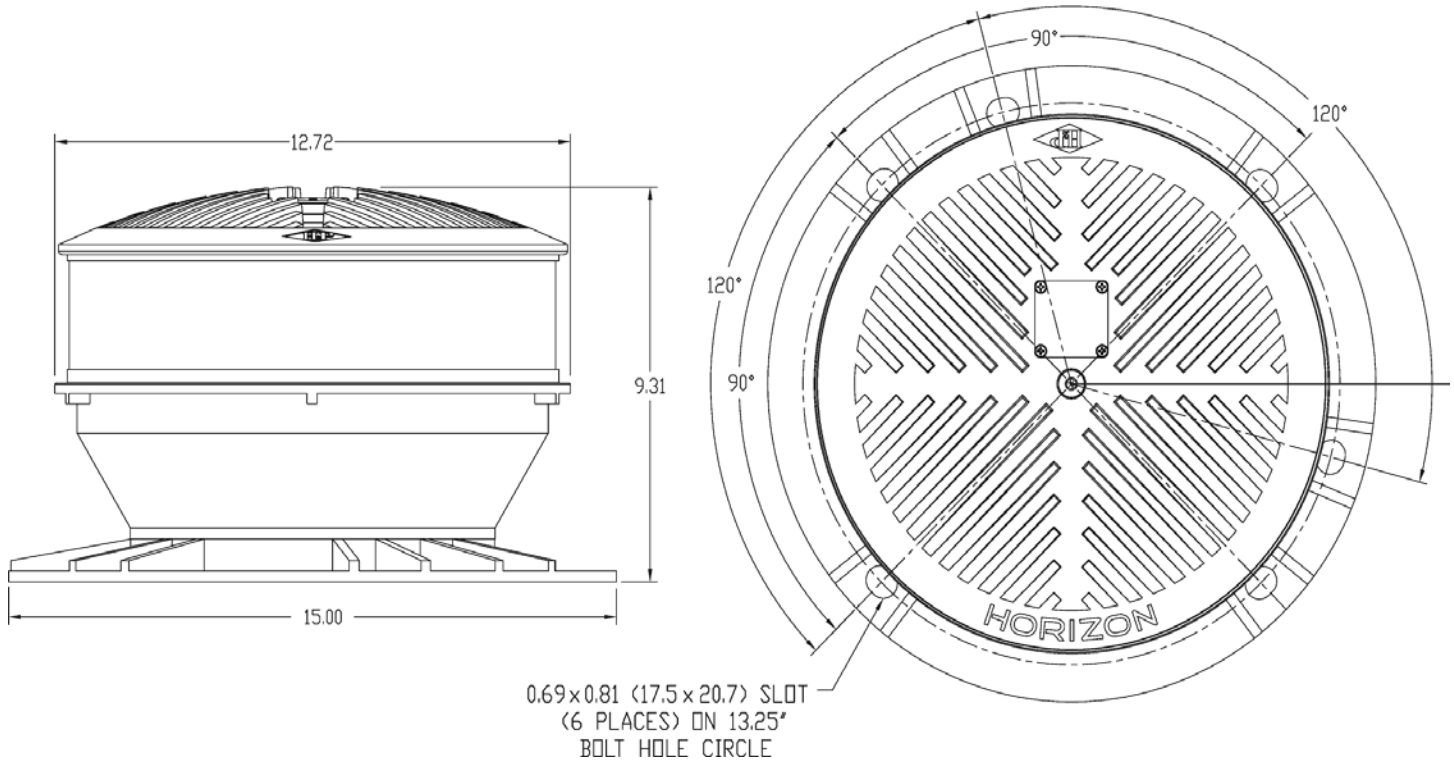


Flight Light Inc.
2708 47th Ave.
Sacramento, California, U.S.A.
95822-3806



L-864 / L-865
Dual LED Red/White
Flashing Obstruction Beacon
HORIZON™ Series

PH (916) 394-2800 FX (916) 394-2809
TF (800) 806-3548 EM info@flightlight.com



Visit our web site: www.flightlight.com