



Toll Free: 800.806.3548
 Tel: 916.394.2800
 Fax: 916.394.2809
 Email: sales@flightlight.com
 Web: www.flightlight.com

FL-81022
Wire-In Photocontrol
Hazardous Location Unit



Exclusive Features

- Explosion proof
- Dust-ignition proof
- Weatherproof
- Tamper Resistant
- Tempered Glass Lens
3/8" thick

Double-Sided
Plated-Through
Circuit Board (DSPT)
for durability and reliability

Quad-Gate Technology
for precision
and consistency

Full Wave Rectification

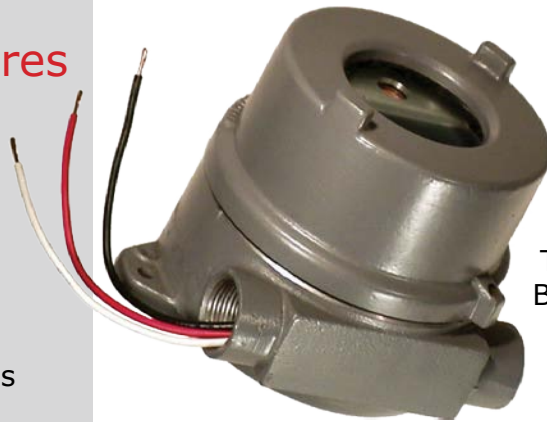
Dual Zener Diodes

320 Joule MOV

Solid Brass Contact Blades

Internal and External
Ground Screws Standard

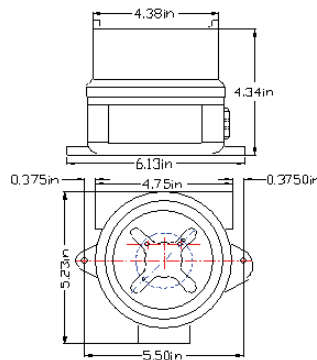
Meets or exceeds rigid
quality requirements of
applicable ANSI C136.10, and
C136.24 Standards



Outdoor Lighting Control
For Exterior Lighting In
Hazardous Locations

Tank Farm Lighting
Building Perimeter Lighting
Exterior Process Lighting
Loading/Unloading Rack Lighting

	86390HL
Nominal Voltage 50/60 Hz	120/208/240/277
Voltage Range	105–305
Fail Mode	On
Load Rating	1000 Watt Tungsten / 1800 VA Ballast
Operating Temperature	-40C to +70C (-40F to +158F)
Photocell	Encapsulated Silicon Phototransistor
Dielectric Strength	5000 Volts between current carrying parts and metal surfaces
Surge Protection	320 Joule MOV / 10,000 amp surge current
Power Consumption	0.5 watts @ 120 V
Time Delay Off (Instant On)	3 to 5 seconds
Operating Light Levels (Standard Settings)	Turn On 1.5 FC ± .25 / Turn Off by 2.25 FC (Off:On Ratio = 1.5:1)
Housing	Sand cast copper-free aluminum - epoxy powder coated
Gasket	Neoprene O-ring
Wiring Connections	3 #14 AWG Stranded
Options	Option Code 1 (Add to end of Model Number)
Denotes Turn On point in FC	Specify 0.3–5.0 FC



Certifications and Compliances:

- UL Classified
- CSA Certified
- FM Approved for:
 - Class I, Div 1 & 2, Group B, C, D*
 - Class II, Div 1 & 2, Group E, F, G
 - Class III
- Nema 3, 4, 7 BCD*, 9 EFG
- Cenelec EEx d II B IP66
- * When sealed within 18" of unit as per
NEC Sections 501-5 and 502-5

Example Order #: 86390HL-1.0 signifies a 86390HL Hazardous Location Photocontrol with a Turn On setting of 1.0 FC