



Flight Light Inc.  
 2708 47th Ave.  
 Sacramento, California, U.S.A.  
 95822-3806



PH (916) 394-2800    FX (916) 394-2809  
 TF (800) 806-3548    EM [info@flightlight.com](mailto:info@flightlight.com)

## WCH Series Wind Cone AC and Solar Powered L-806 (Frangible)

### L-806 & L-806(L) Wind Cone

#### Compliance

FAA: L-806 AC 150/5345-27  
 (Current Edition)

FAA Engineering Brief 67

ETL Certified

#### Applications

Provides visual indication of wind direction and velocity at a location on an airfield. L-806 wind cones are used on smaller airfields, heliports and as supplemental wind indicators near runway touchdown areas on large airfields.

#### Key Specifications

- Available externally lighted, internally lighted, or unlighted.
- LED or halogen lamps.
- The LED models feature:
  - 50,000 to 100,000 hour lamp life, virtually maintenance free.
  - Multiple lamp circuits, for improved reliability.
  - 80-90% less power consumption than halogen lamps.
  - A long-life LED obstruction light.
  - Integral power adapter on series-circuit models.
- Incandescent L-810 obstruction light included on halogen-lighted models.

- Size 1 (18" diameter x 8' long) wind sock.
- 1.9 inch diameter steel pole, with frangible coupling at base.
- One piece welded aluminum basket with pre-installed bearings.
- Raincaps protect the bearings from weather.
- May be mounted directly to an L-867 light base, 2 inch NPT base-plate (sold separately).
- The nylon sock is treated for rot, mildew, and water repellency.
- Powder coat painted international orange.



#### Solar Power Supply Option

A Solar Power Supply (SPS) is now available for WCH Series wind cones. Please [click here](#) for details.



External LED Light



Internal Halogen Light



External Halogen Light



Internal LED Light

Visit our web site: [www.flightlight.com](http://www.flightlight.com)



Flight Light Inc.  
 2708 47th Ave.  
 Sacramento, California, U.S.A.  
 95822-3806



**WCH Series Wind Cone  
 AC and Solar Powered  
 L-806 (Frangible)**

PH (916) 394-2800    FX (916) 394-2809  
 TF (800) 806-3548    EM info@flightlight.com

**Ordering Code**

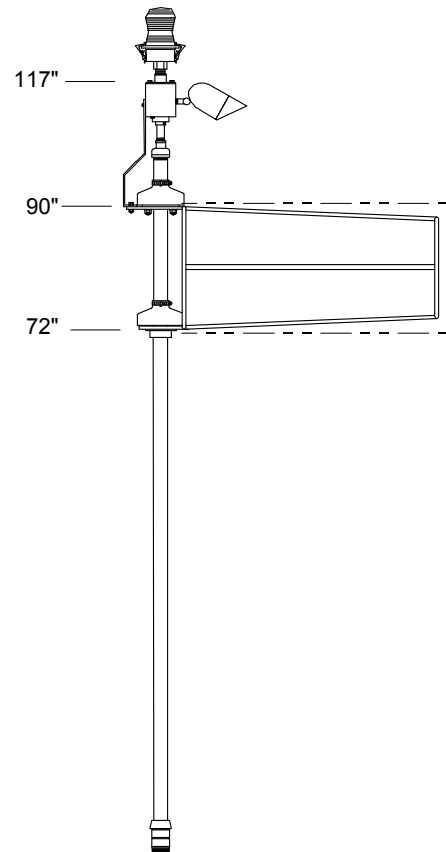
Catalog Number	See Notes	FAA Size	FAA Style	Power Source	Lamp Type	Total VA	Weight (lb.)	Sock Color	Replacement Lamp
WCH-806-1-0-0-N		1	II Unlighted	None	None	0	45	Orange	None
WCH-806-1-EX-120-5		1	I-A External	120 VAC	LED	15	58	Orange	9200-0032
WCH-806-1-EX-120-N		1	I-A External	120 VAC	Halogen	191	55	Orange	3400-0122
WCH-806-1-EX-230-5	5	1	I-A External	230 VAC	LED	15	58	Orange	9200-0044
WCH-806-1-EX-230-N	2,5	1	I-A External	230 VAC	Halogen	191	70	Orange	3400-0122
WCH-806-1-EX-66-5	3	1	I-A External	6.6 AMP	LED	45	57	Orange	9200-0034
WCH-806-1-EX-12-5	4	1	I-A External	12 VDC	LED	6	57	Orange	9200-0033
WCH-806-1-IN-120-5		1	I-B Internal	120 VAC	LED	32	59	Orange	9200-0038
WCH-806-1-IN-120-N	5	1	I-B Internal	120 VAC	Halogen	316	57	Orange	3400-0100Regent
WCH-806-1-IN-230-5	5	1	I-B Internal	230 VAC	LED	32	59	Orange	
WCH-806-1-IN-230-N	2,5	1	I-B Internal	230 VAC	Halogen	191	70	Orange	3400-0122
WCH-806-1-IN-66-5	3	1	I-B Internal	6.6 AMP	LED	58	57	Orange	9200-0039
WCH-806-1-IN-12-5	5	1	I-B Internal	12 VDC	LED	6	57	Orange	9200-0041

Notes:

1. Power consumption specifications include the L-810 obstruction light.
2. Includes 120V-230V transformer.
3. Requires 100 watt L-830 transformer, sold separately.
4. Available with optional 50W solar panel, 2 batteries (S50212). Compatible with low VA controller.
5. This FAA Style cannot be ETL certified.
6. Add "-RW" for Red/White sock.
7. Floor flange not included (B1A0009SDE2).

**Spare Components**

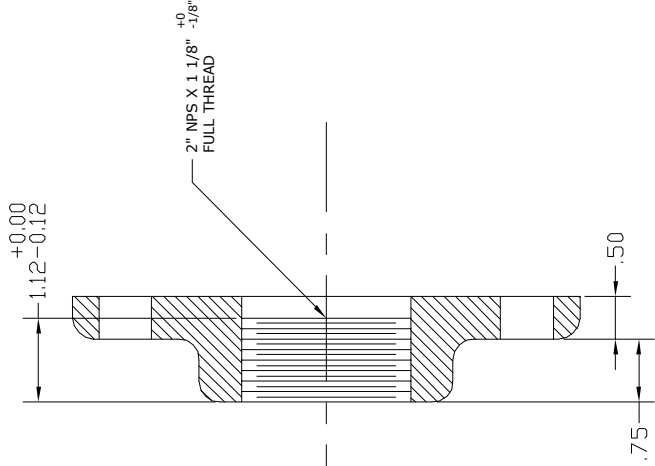
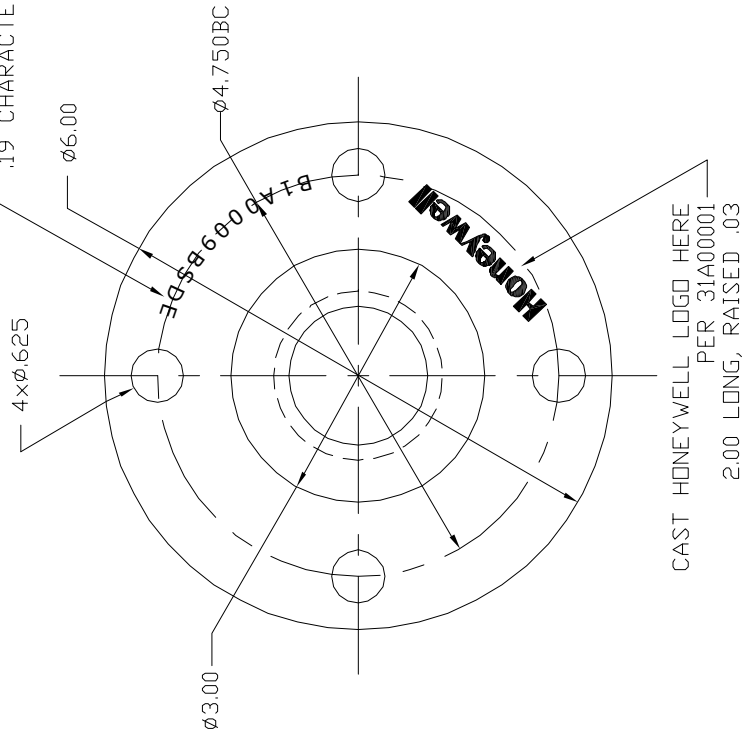
Description	Part Number
Floor Flange.....	B1A0009SDE2
Frangible Coupling.....	1800-0025
Lamp, 120V Incandescent Obstruction Light ....	LA-22483-2
Spare Wind Sock (18" dia. x 8 ft.).....	WS-AS1896



**Visit our web site: [www.flightlight.com](http://www.flightlight.com)**

THIS DRAWING AND THE INFORMATION CONTAINED HEREIN IS PROPRIETARY TO HONEYWELL, AND ALL RIGHTS ARE RESERVED. NO PART OF THIS DRAWING OR THE INFORMATION CONTAINED HEREIN MAY BE REPRODUCED OR TRANSMITTED IN ANY FORM OR BY ANY MEANS, ELECTRONIC OR MECHANICAL, INCLUDING PHOTOCOPYING, RECORDING, OR BY ANY INFORMATION STORAGE AND RETRIEVAL SYSTEM, WITHOUT THE WRITTEN PERMISSION OF HONEYWELL.

CAST NUMBER SHOWN HERE  
.19 CHARACTERS, RAISED .03



REV	DESCRIPTION	DRAWN BY	DATE	APPROVED
A	ADDED -1 VERSION	7/7/77		
B	WAS DWG NO HM 6071			
C	REDRAWN	TC	10/10/80	
D	ADDED THD DEPTH	JS	8/9/88	
E	ECO 903, ADDED .5" CNF	CJM	10/12/00	
F	ECO 3954	RES	09/02/03	RES

CONFIGURATION TABLE

PART NO	MAKE FROM	DESCRIPTION
B1A0009SDE5	MAKE FROM "2"	PRIMED & PAINTED YELLOW $\Delta$
B1A0009SDE4	MAKE FROM "2"	CHEM COAT, PRIMED & PAINTED ORANGE $\Delta$
B1A0009SDE3	MAKE FROM "2"	PRIMED & PAINTED ORANGE $\Delta$
B1A0009SDE2	MAKE FROM "1"	MACHINED CASTING
B1A0009SDE1	SEE NOTE $\Delta$	RAW CASTING

REV	DATE	DESCRIPTION
10/13/80		
10/15/80		
10/20/80		

REV	DATE	DESCRIPTION
94295		
1/1		SAVED AS: (DWG)RevE.DWG

REV	DATE	DESCRIPTION
10/13/80		
10/15/80		
10/20/80		

- YELLOW PAINT PER CARDINAL # T009-YL14, FED-STD-013538, YELLOW
- INTERNATIONAL ORANGE ALKYD ENAMEL, PER FED-STD-595, NO 12197, TT-E-489, 3 COATS, 3 MILS.
- ZINC CHROMATE PRIMER TT-P-1757, COMP L, COLOR Y, ONE COAT.
- MATERIAL: AL AL 43 OR 214, PER QQ-A-601.
- DELETED.
- NOTES: UNLESS OTHERWISE SPECIFIED

Honeywell  
6" FLANGE, ALUM  
DRAWING NO. B1A0009SDE1  
REV. 1/1 SAVED AS: (DWG)RevE.DWG SHEET 1 OF 1



**Flight Light Inc.**  
 2708 47th Ave.  
 Sacramento, California, U.S.A.  
 95822-3806



**WCH Series  
 Wind Cone  
 Solar Power Supply**

**PH (916) 394-2800    FX (916) 394-2809**  
**TF (800) 806-3548    EM info@flightlight.com**

**Applications**

The Solar Power Supply (SPS) is a self-contained photovoltaic power source for the WCH Series L-806 and L-807 wind cones.

**Features**

- Provides power to ETL-certified wind cones with L-810 obstruction lights (12 VDC LED models).
- Custom designed for the installation site, using 30-year worst case insolation and temperature extremes.
- Operates the wind cone lamp dusk-dawn, controlled by an ETL-certified photocell, to FAA illumination requirements.
- Full wind cone lamp intensity at all times when operating.
- 50 or 135 watt solar panel, with 12-year/90% and 25-year/80% power warranty.
- MPPT charge controller, with custom-programmed temperature compensation.
- On-board indicators for battery, charging and system status.
- 100 to 300 A-H AGM battery, designed for 4000 charge/discharge cycles.
- 10 day nominal battery autonomy.
- Dual-post mount, with frangible couplings, designed to withstand ASCE Exposure C wind loads.
- Temperature range: -45 to +55°C (-49 to +131°F).
- Includes pre-assembled anchor for easy mounting.
- Weather and corrosion resistant construction of powder coated steel and aluminum.
- Solar panel tilts 25-65 degrees in 10 degree steps, factory preset for the installation location.
- Manufactured in the USA.

**Ordering Information**

The SPS is designed for operation only with WCH Series wind cones. Each SPS is custom configured for the proper solar panel, battery, temperature compensation and height for the installation location. Please contact Flight Light to configure the correct model for your location.

**Installation Information**

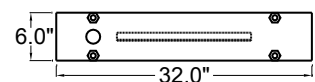
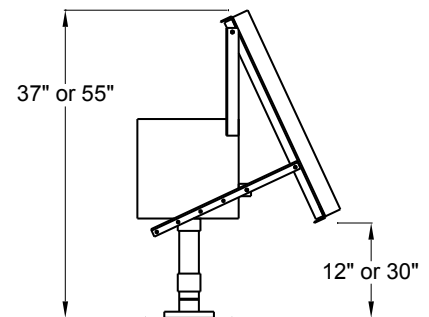
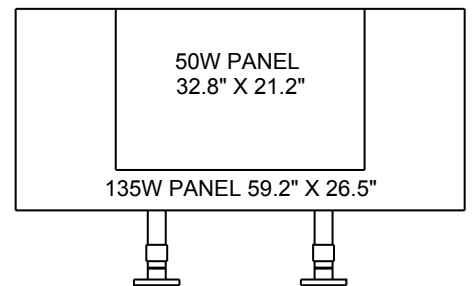
Full solar exposure is critical to the proper operation of the SPS. The solar panel must face due south (in the Northern Hemisphere). Any shading of the solar panel will significantly reduce the energy production. The bottom edge of the solar panel must not be obstructed by snow or vegetation. To prevent shading from the wind sock, the SPS must be installed at least 8 feet from an L-806 wind cone, and at least 12 feet from an L-807 Size 2 wind cone. The SPS is attached to a 4-bolt anchor assembly (included), mounted in a concrete slab. Power is supplied to the wind cone by a cable in liquid-tight conduit through one of the SPS mounting legs.

**Replacement Parts**

Part #	Description
7800-0004	Solar Panel, 50 watt
7800-0005	Solar Panel, 135 watt
1300-0081	Battery, PVX-840T
4500-0020	Charge Controller
7800-0006	Photocell
1800-0036	Frangible Coupling
2300-0024	Fuse, 10A 32V

**Shipping Information**

Unpackaged Weight: 186-268 lb.  
 Shipping Weight: 266-388 lb.  
 Shipping Volume: 72"L x 48"W x 44"H



**Anchor Assembly Top View**

**Visit our web site: [www.flightlight.com](http://www.flightlight.com)**