



Flight Light Inc.
2708 47th Ave.
Sacramento, California, U.S.A.
95822-3806

PH (916) 394-2800 FX (916) 394-2809
TF (800) 806-3548 EM info@flightlight.com

Medium Intensity Approach Lighting System with Runway Alignment Indicator Lights: (MALSR)

MALSRS (Medium Intensity Approach Lighting System with Runway Alignment Indicator Lights) is used by pilots during instrument landing approach to align the aircraft with the centerline of the runway. Up to sixty-three (63) steady-burning lights are used to create a reference plane, and up to eight (8) lights create a sequential strobing flash pattern that rolls

toward the runway threshold. Three intensity settings allow the approach to be used under changing weather conditions. MALS (Medium Intensity Approach Lighting System) is available. A 6.6a series circuit powers the entire MALSRS system. This provides for greater dependability, increased control, decreased maintenance, improved efficiency and lower installation costs.

MALSRS Components

Threshold Fixtures

Green lights that mark the beginning of the runway and may be semiflush FAA L850E (ZA480, 210w) or elevated FAA E982 (ZA420, 100w*).



FAA L850E (ZA485)

Steady-burn Lights

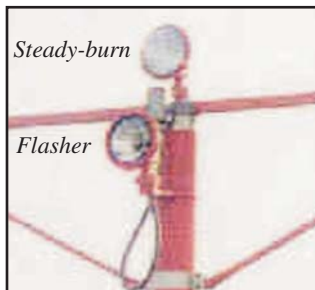
White lights that form a reference plane to aid in aircraft alignment with the runway and may be semiflush FAA E2491 (ZA480, 3@105w) or elevated FAA E982 (ZA420, 150w*).



FAA E982 (ZA420)

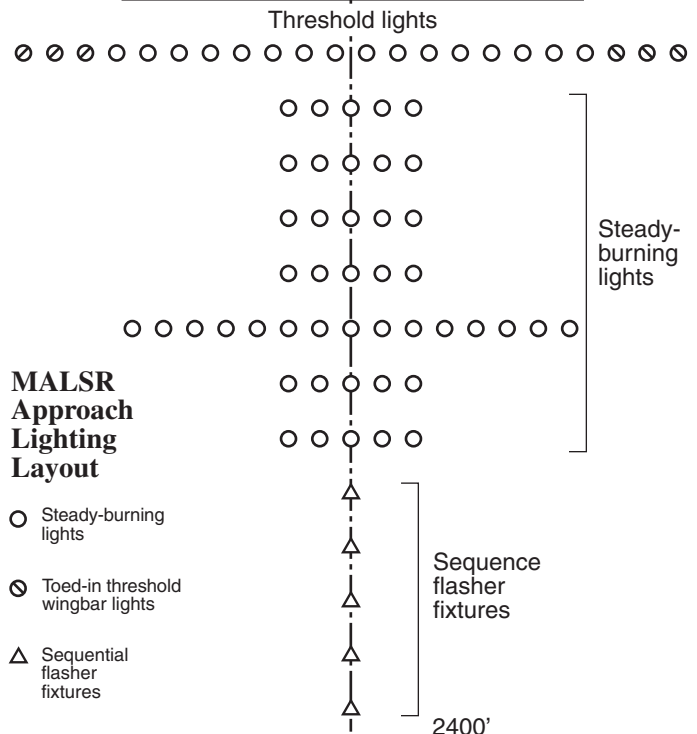
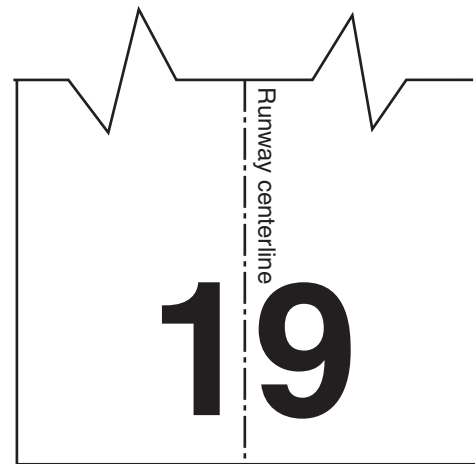
Sequence Flasher Fixtures

White lights that create a sequential strobing flash pattern that rolls toward the runway threshold. May be mounted on frangible masts or frangible couplings. FAA L849, Style A and E (FTS 815 voltage-powered, FTS 835 current-driven).



Constant Current Regulator

A single 6.6a L828, 15kw saturable reactor regulator can power the entire MALSRS system. All lights will have the required three intensity settings.



Visit our web site: www.flightlight.com

* Exceeds 150 PAR/SP photometrics.



Flight Light Inc.
 2708 47th Ave.
 Sacramento, California, U.S.A.
 95822-3806

PH (916) 394-2800
 TF (800) 806-3548

FX (916) 394-2809
 EM info@flightlight.com

Medium Intensity Approach Lighting System with Runway Alignment Indicator Lights: (MALSR)

Fiberglass Frangible Approach Mast

These low impact resistant (LIR) support structures are available in 6 ft to 128 ft heights to provide a high intensity guidance system in the clear zone. They are the only masts that are fully compliant with FAA-E2702 specs.

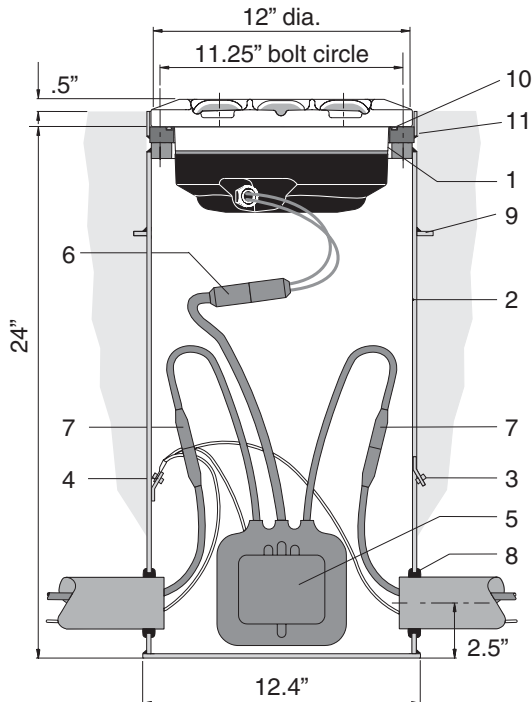


L823 Connector Kits
 Primary and secondary connector kits provide strong waterproof connections between components.

Series Isolating Transformer
 FAA L830 rubber encapsulated series isolating transformers are waterproof for above ground, pull pit or ground burial installation.

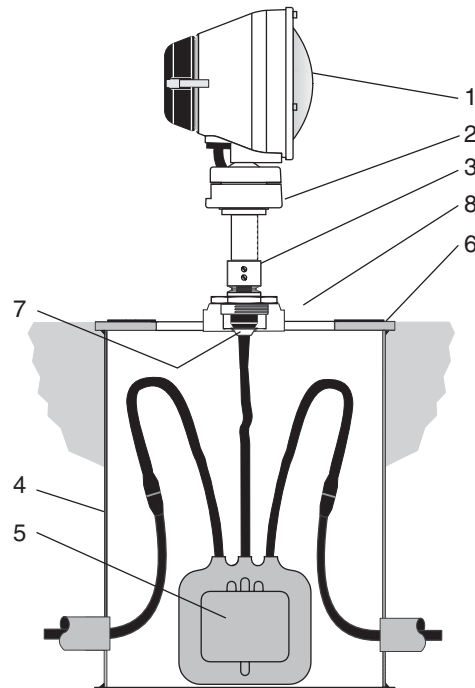


L-850E INSTALLED ON FAA L-868 BASE



- | | |
|--------------------------|-----------------------|
| 1. ZA480 fitting | 7. Primary connection |
| 2. FAA L-868 base | 8. Grommet |
| 3. Outer earth terminal | 9. Anchor ring |
| 4. Inner earth terminal | 10. 'O' ring |
| 5. Isolating transformer | 11. Dam ring |
| 6. Secondary connection | |

**E-982 INSTALLED ON A FAA L867B BASE CAN
 (Available for heights under 6 ft.)**



- | | |
|------------------------|----------------------------|
| 1. ZA420 light head | 5. Isolating transformer |
| 2. M32 mounting stem | 6. Gasket |
| 3. Frangible coupling | 7. Support plate |
| 4. FAA type L867B base | 8. FAA type L867 baseplate |

Visit our web site: www.flightlight.com