



Flight Light Inc.
 2708 47th Ave.
 Sacramento, California, U.S.A.
 95822-3806



PH (916) 394-2800 FX (916) 394-2809
 TF (800) 806-3548 EM info@flightlight.com

**White Flashing
 Omni-Directional Approach Lights:
 (ODALs) FAA L-859**

Omni-Directional Approach Lights (ODALs)

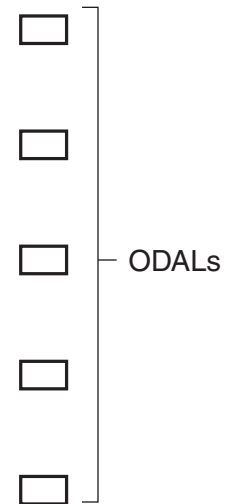
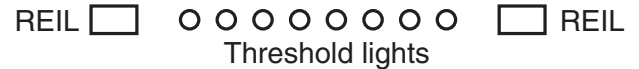
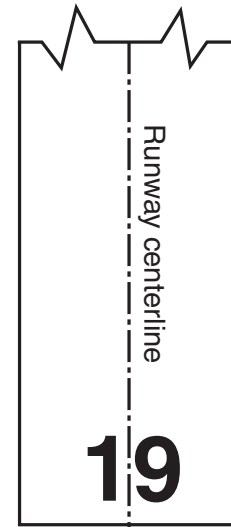
ODALs are used to identify the approach end and centerline of the runway. The omnidirectional horizontal beam pattern, bright flashes and a sequential strobing flash pattern that rolls

toward the runway threshold helps the pilot identify the runway in use. Three intensity settings allow the approach to be used under changing weather conditions.



**ODAL
 FAA Type L859
 Style F**

COMMON FEATURES	<p>Flashhead</p> <ul style="list-style-type: none"> • High Intensity: 5,000 effective candela nominal • Medium Intensity: 1,500 effective candela nominal • Low Intensity: 300 effective candela nominal • 60 flashes per minute - day 	<p>Compliances</p> <ul style="list-style-type: none"> • FAA Advisory Circular 150/5345 - 51 • Transport Canada K312 <p>Instruction manuals and maintenance support available</p>
VOLTAGE POWERED	<p>Power Converter</p> <ul style="list-style-type: none"> • 240vac + 10% 60Hz, 1 Phase; 50Hz system • 120w (high); 85w (medium); 65w (low) 	<ul style="list-style-type: none"> • 300 va (high intensity) • Solid state circuitry • Safety interlocks • Internal surge protection
CURRENT DRIVEN	<p>Power Converter</p> <ul style="list-style-type: none"> • Directly connected to secondary of standard FAA type L-830 isolation transformer • 120w (high); 85w (medium); 65w (low) 	<ul style="list-style-type: none"> • 300 va (high intensity) • Solid state circuitry • Safety interlocks • Internal surge protection



Visit our web site: www.flightlight.com



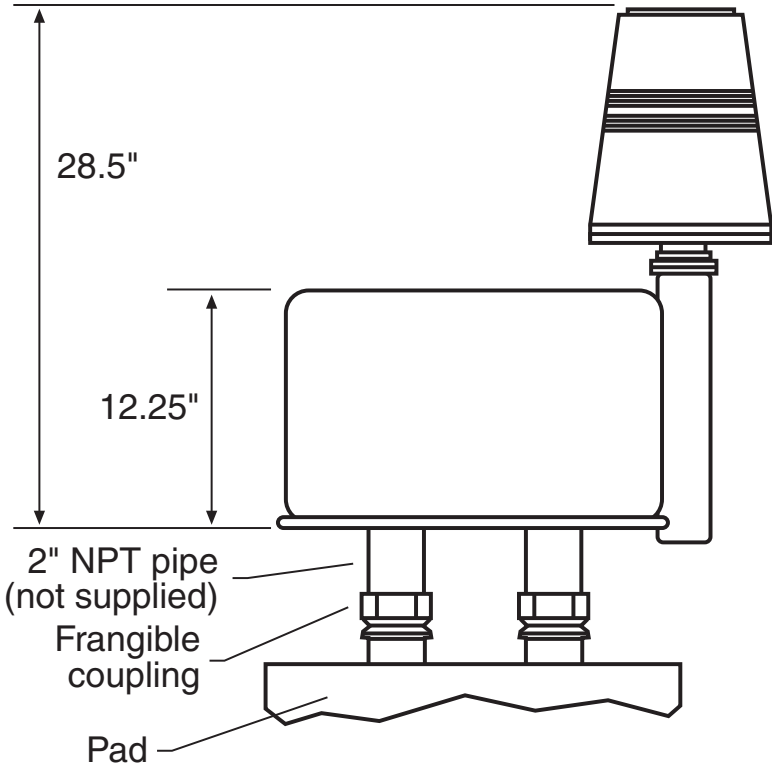
Flight Light Inc.
 2708 47th Ave.
 Sacramento, California, U.S.A.
 95822-3806



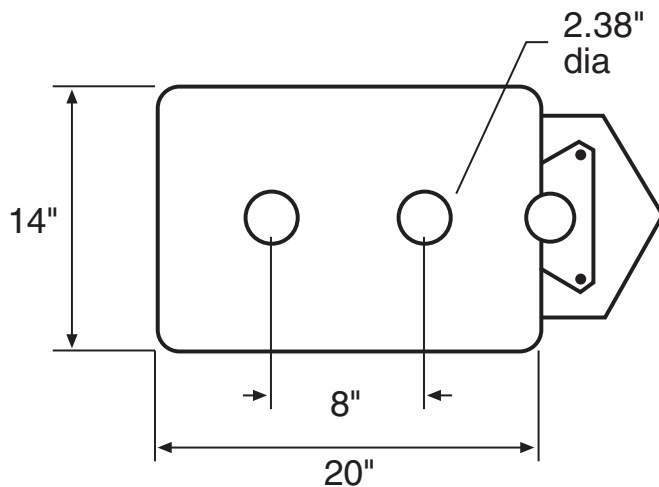
PH (916) 394-2800
 TF (800) 806-3548

FX (916) 394-2809
 EM info@flightlight.com

**White Flashing
 Omni-Directional Approach Lights:
 (ODALs) FAA L-859**



Ordering Codes		
Fixture	Config.	Power
38-FTS 417	Omnidirectional	Voltage-powered
38-FTS 437	Omnidirectional	Current-driven



**For technical
 information
 and renewal parts
 call 1-800-806-3548**

Visit our web site: www.flightlight.com