



Flight Light Inc.  
 2708 47th Ave.  
 Sacramento, California, U.S.A.  
 95822-3806

PH (916) 394-2800    FX (916) 394-2809  
 TF (800) 806-3548    EM info@flightlight.com

**Flight Light Inc.**  
**Radio Controller**

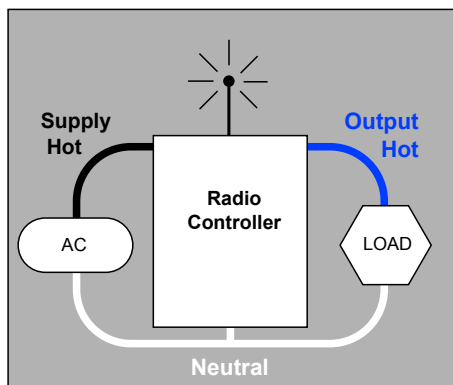
### Applications

The Flight Light Radio Controller activates airfield lighting, heliport lighting, or approach guidance power circuits on the designated frequency. Pilots can control lights from the air with key clicks from a VHF AM aircraft band radio. The controller uses a high precision radio to prevent false triggering. Radio Controllers save power and extend lamp life in your fixtures by activating the lights only when you need them. The standard version includes an antenna, can switch a 120VAC load up to 20A (2400W), and is commonly used on private airstrips, general aviation airports, helipads, and airfields without a control tower.

### Options

- Remote antenna with mount, 30' cable, and surge suppressor.
- FAA style photocell for outdoor installations, prevents daylight activation.

### Simple Wiring Configuration



### Features

- Highly selective VHF receiver uses frequency synthesized, triple tuned circuitry and is factory set between 118.0 and 137.0MHz in 25Khz increments.
- Range: 5 miles minimum (depending on antenna height and a clear line of sight to pilot).
- Solid state relay for 120VAC, 20A (2400W) output load.
- User configured to respond to 3, 5, or 7 clicks and activation duration from 1 to 35 minutes.
- Manual override switch to activate lighting circuit locally.
- Status indicators for Power, Signal and Active.
- NEMA 4 enclosure with lock.



### Ordering Code

Part Number	Product	Steps	Options
FL-	RC	S: Single	RA: Remote Antenna PC: Photocell 2: 240VAC 30: 30A, 120VAC, 3600W

*Note: Must specify frequency when ordering. Frequency cannot be retuned in the field.*  
 Shipping Weight: 10 lbs./4.5 kg , Volume: .21 ft<sup>3</sup>/.01 m<sup>3</sup>

**Visit our web site: [www.flightlight.com](http://www.flightlight.com)**