



Flight Light Inc.
2708 47th Ave.
Sacramento, California, U.S.A.
95822-3806



PH (916) 394-2800 FX (916) 394-2809
TF (800) 806-3548 EM info@flightlight.com

S-1 Series Cutout

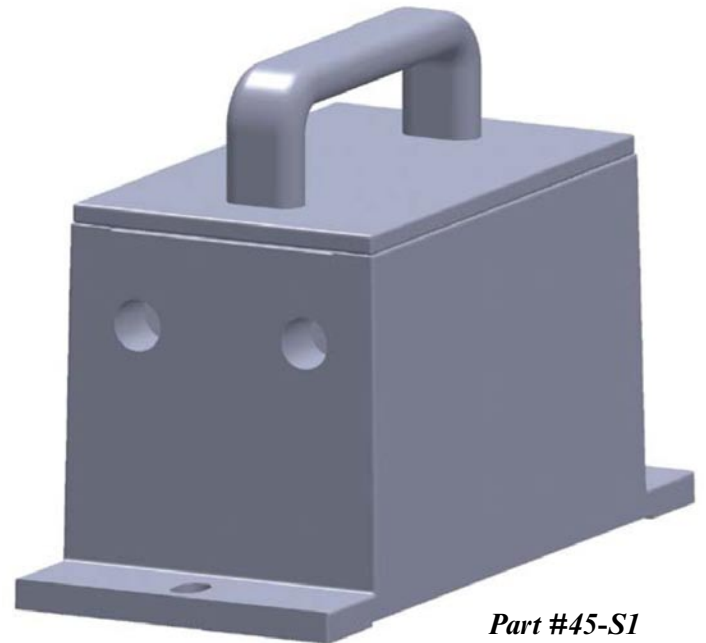
S-1 Series Cutout

Complies with AC 150/5340-30

Installed to isolate the series circuit from the constant current regulator for maintenance or testing. Easy two position “handle in” and “handle out” to quickly determine cutout status.

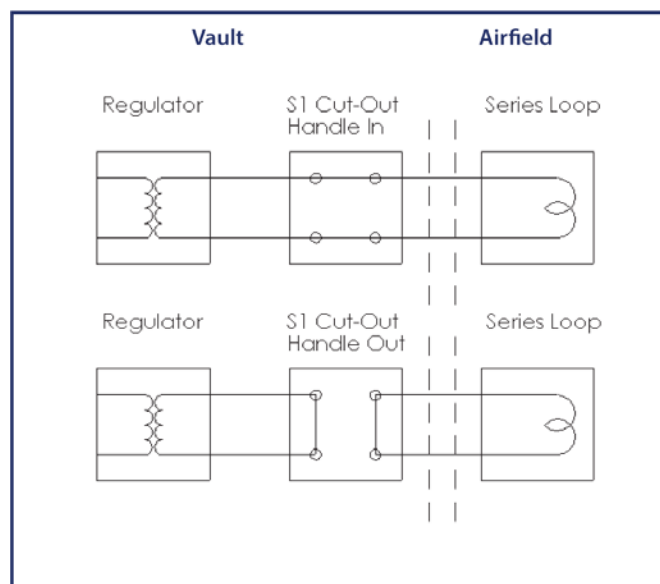
Features

- Isolates the series circuit from the constant current regulator.
- Shorts regulator output for troubleshooting.
- Suitable for 6.6 or 20 amp circuits.
- Removable handle ensures series circuit is de-energized.
- Handle is designed to fit inside a tool box to add a second level of security.
- Housing fabricated from durable nonconductive materials.

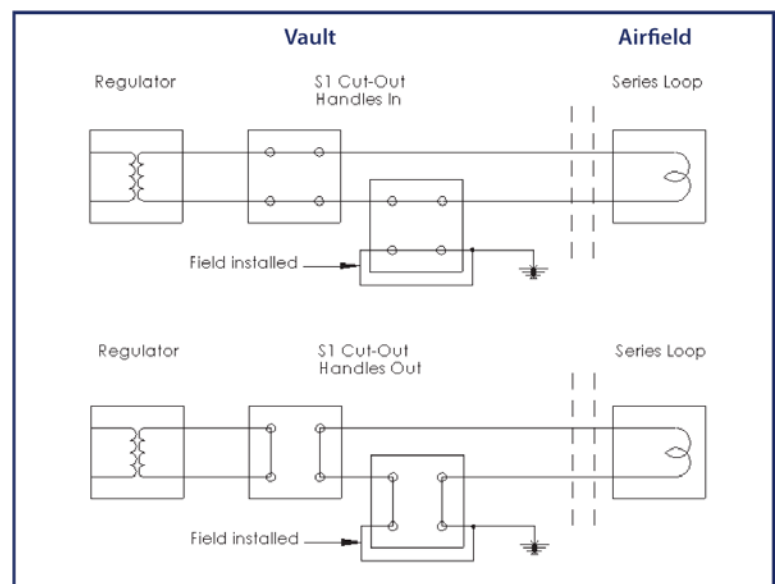


Part #45-S1

Standard



Grounded



Visit our web site: www.flightlight.com