



Flight Light Inc.
2708 47th Ave.
Sacramento, California, U.S.A.
95822-3806

Constant Current Regulator Status Monitor

PH (916) 394-2800 FX (916) 394-2809
TF (800) 806-3548 EM info@flightlight.com

Compliance and Applications

The constant current regulator status monitor continuously checks a series circuit for faults in the regulators and lamp loop. Figure A shows the unit sensing circuit parameters to establish reference signals. Monitored signals are then compared to the reference signals to drive pilot relays for fault indication. ON-OFF LAMP combinations are used to indicate system function and fault condition.

The unit can be used to retrofit L-828 regulators or ordered as an integrated regulator-monitor package under FAA specification L-829.

Why Our Monitor is Better

- ✓ Front cover mounted LED's for easy readout of circuit function and system status.
- ✓ Small size and light weight allow easy installation.
- ✓ Central test probe point and multiple position test switch, plus circuit board for technician use during setup and functional analysis.
- ✓ Lamp failure adjustment for 4 to 10 lamps normal mode and 1 to 5 additional lamps in the alternate mode.
- ✓ Fault detection in control tower in remote mode or at the monitor in local mode.
- ✓ Operational with control circuit lengths totaling 10,000 feet (3,000 meters) using number 19AWG (minimum) control cable.

Formerly
SOLA/Hevi-Duty



Regulator Status Monitor

Specifications

- Rugged steel case finished with ANSI #61 light gray enamel.
- Wall or panel mounted.
- Knockouts for 1/2" and 3/4" conduit connectors.
- Continuous hinged door with single point latch.
- Control terminal block mounted on the bottom.
- Monitors either 6.6amp or 20amp regulator outputs.
- Monitor output contacts rating SPDT 2amp 120VAC/28VDC.
- Indoor operation at a temperature range of +32°F to +131°F (0°C to +55°C).

- ✓ The top two brightness steps are adjustable for VA dropoff and lamp outage faults when monitored regulator is loaded at 50% to 100% of rated capacity.
- ✓ Fault monitoring of input power, open-circuit/overcurrent and brightness steps operate at all loads and current steps.
- ✓ False alarms limited by 5-second time delay built into fault monitoring for VA dropoff, brightness step failure and lamp outage.

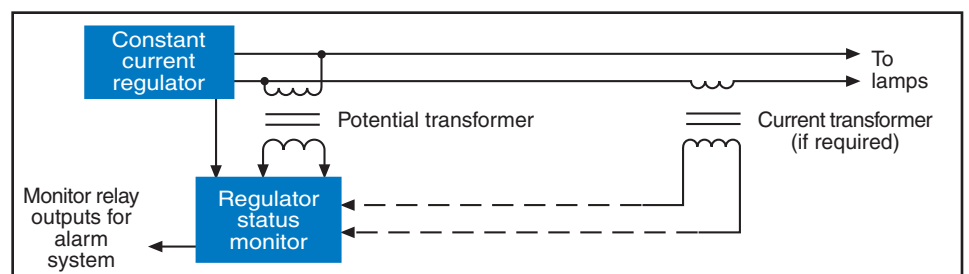
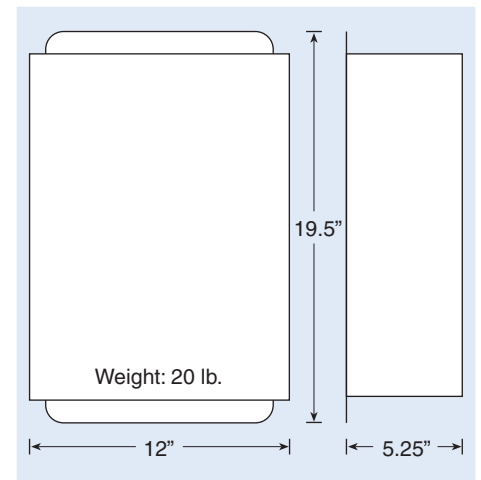


Figure A.

Visit our web site: www.flightlight.com