



Flight Light Inc.
 2708 47th Ave.
 Sacramento, California, U.S.A.
 95822-3806

Spare Parts Only



**4KW and 10KW Constant Current
 Dry-Type Regulators
 Low and High Intensity**

PH (916) 394-2800 FX (916) 394-2809
TF (800) 806-3548 EM info@flightlight.com

Compliance and Applications

FAA Compliant: AC 150/5345-10F
 Flight Light's dry-type **saturable reactor network** constant current regulators provide precision control of runway lighting series circuits in low and high intensity applications. Because they use **SOLA/Hevi-Duty's** extremely **reliable design** and **durable magnetic** components, our regulators are not susceptible to extraneous signals that cause competing solid state electronic designs to fail. In fact, our units are tested to assure zero interference with radio communications.

Why Our CCR's are Better

- **Five year limited warranty** - the best warranty in the world.
- Outputs at 4KW and 10KW allow you to increase the output load as your airport grows by changing a single transformer connection.
- Super Efficient Energy Saver: Input current is completely dependent on output load.
- Magnetic components are not susceptible to extraneous signals and do not create interference with radio communications.
- Simple design makes it easy to install and virtually maintenance free.
- Excellent current regulation, no load to full load and with up to 30% lamps inoperative. Output current stable within 0.1 amps at any output.
- Power factor exceeds industry standards: more efficient than required by FAA.
- Automatically compensates for -5% to +10% input voltages.



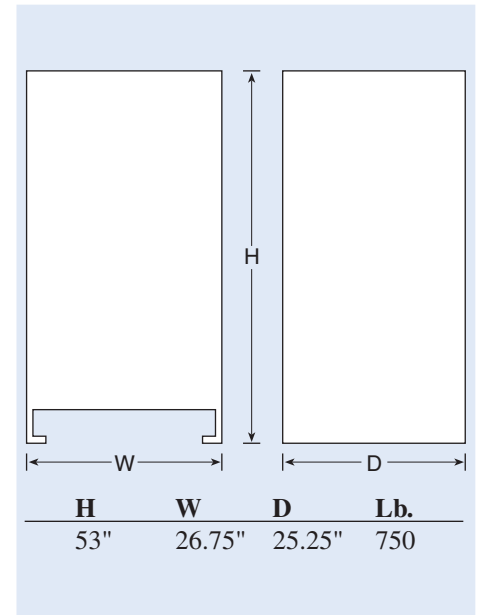
Dry-Type Regulator

Specifications

- Continuous indoor operation at a temperature range of -40°F to +131°F (-40°C to +55°C).
- Floor mounted, dry-type ventilated enclosure with power components isolated from control functions.
- Integral primary switch.
- Standard 120VAC internally supplied control power for local control.
- Remote control by internal or external sources.
- Direct read output ammeter.
- Output distribution class lightning arrestors.

**Formerly
 SOLA/Hevi-Duty**

- Input circuit electronically isolated from output circuit.
- Withstands input overvoltage of 120% nominal for 50 milliseconds within one minute intervals.
- Resumes original brightness mode within 1 second of lost input power.
- Not activated by load switching or transients. Positive open-circuit or overcurrent protection automatically trips regulator off-line within 2 seconds, manually resets in less than 1 second.
- Easy access to remote/local control switch.
- No solid state components in series circuit.



Visit our web site: www.flightlight.com



Flight Light Inc.
 2708 47th Ave.
 Sacramento, California, U.S.A.
 95822-3806

Spare Parts Only



PH (916) 394-2800
 TF (800) 806-3548

FX (916) 394-2809
 EM info@flightlight.com

**4KW and 10KW Constant Current
 Dry-Type Regulators
 Low and High Intensity**

Ordering Code

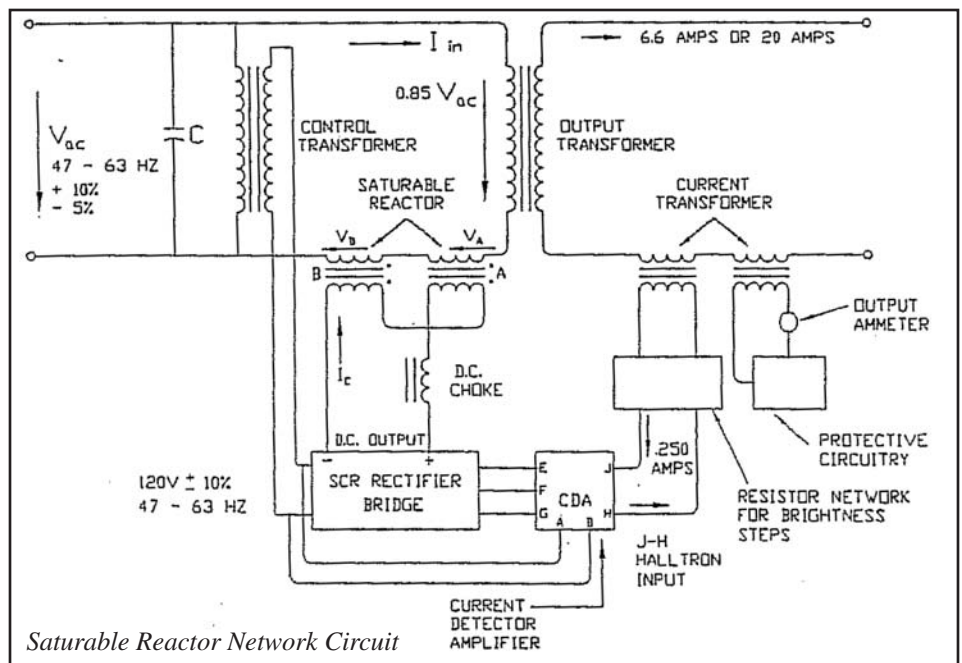
Qty.	KW Size	FAA #	Code:		Control Power	Type	Hertz	Accessory Codes	
			Volts/Steps/Amperes						
	4KW = 4 10KW = 10	Std. Reg. = L828 Unit W/Monitor = L829	V/S/A	Code	48V Grounded DC Internal	3	Dry = D	60 Hertz = 6 50 Hertz = 5	Elapsed Time Meter* ETM Input Arrestors IA Output Volt Meter* OVM Input Volt Meter* IVM Input Amp Meter* IAM Extra Contacts** EC Outdoor Enclosure 3R Fixed One Step FOS Cold Circuit Selector Switch A
			208/3/6.6	Z	48V Ungrounded DC External	4			
			208/5/6.6	ZA	120VAC Int./Ext.	5			
			220/3/6.6	N	48V Grounded DC Int./Ext.	6			
			220/5/6.6	O	24V Grounded DC Internal	7			
			230/3/6.6	Q	24V Ungrounded DC External	8			
			230/5/6.6	R	24V Grounded DC Int./Ext.	9			
			240/3/6.6	A					
			240/5/6.6	C					
			277/3/6.6	BA					
			277/5/6.6	BB					
			380/3/6.6	T					
			380/5/6.6	U					
			415/3/6.6	W					
			415/5/6.6	X					
			480/3/6.6	H					
			480/5/6.6	I					
							D		
							D		

* All meters are analog only!
 ** Specify the contact's function (i.e., output current monitoring).

Saturable Reactor Network CCR

The saturable reactor CCR consists of two saturable reactors, main isolation transformer and control circuitry. The AC reactance of the input saturable reactors is automatically adjusted to regulate the load current. It is a magnetic based design.

For technical information and renewal parts call 1-800-806-3548



Visit our web site: www.flightlight.com