



**Flight Light Inc.**  
 2708 47th Ave.  
 Sacramento, California, U.S.A.  
 95822-3806

**atg airports (formerly ALSTOM)**  
**ZA292 Taxiway Semiflush Light**  
**FAA Certified: L-852T**  
**FAA Compliant: L-852E, L-852F**

**PH (916) 394-2800**    **FX (916) 394-2809**  
**TF (800) 806-3548**    **EM info@flightlight.com**

### Compliance and Applications

FAA Certified: L-852T  
 FAA Compliant: L-852E, L-852F  
 ICAO Annex 14  
 NATO STANAG 3316  
 BS3224: Part 5, inset fixtures  
 IEC: 61827

Category I, II and III all weather operation airfield lighting systems. Our ZA292 medium intensity, omnidirectional fixture is suitable for use as a taxiway edge and taxiway intersection light.



### Why Our ZA292 is Better

- ✓ Lightweight and robust aluminum alloy construction.
- ✓ ZA292 has been tested to 1,000 PSI (pounds per square inch) and conforms with both FAA and IEC requirements.
- ✓ Long life lamps (objective life of 1,500 hours at full brilliancy).
- ✓ Pressure test plug ensures moisture-proof light cavity.
- ✓ Prism removal and replacement achieved without need for adhesives or sealants.
- ✓ Pre-focused optics simplify maintenance.
- ✓ Corrosion resistant anodized finish.
- ✓ Available for non-airport applications such as heliport and architectural lighting with 50W, 120V or 240V lamps.

- Corrosion resistant finish meets U.S. Military Standard Salt Fog Test (MIL-STD-810E, Method 509.3) and IEC EN 60068-2-11 (Test Kb, severity 3).
- Color beam variations achieved by dichroic coating.
- Exceeds L-861 photometric requirements when used as a medium intensity white runway edge light.
- 6.6A from 45W, 65W or 100W isolating transformer. Taxiway edge (L852T) uses 48W lamp (blue), taxiway intersection (L852E) uses 48W lamp (yellow), and taxiway intersection (L852F) uses 105W lamp (yellow).
- Lamp bypass options available if required.
- Installation and maintenance manual AVD 113.
- Suitable for direct installation onto FAA L868-B base can with 30-AA122820 mounting adapter or onto 8" diameter base.
- Commonality of parts with the ZA181 RWCL-TDZ and the ZA280 TWCL fixture.
- 8" style: net weight 6.6 lb. (3kg), gross weight 7.7 lb. (3.5kg). Carton size: .23 cu. ft. (.007 cu. meters); 9" (d) x 9" (w) x 5" (h) (229mm (w) x 229mm (d) x 127mm (h))

### Specifications

- Low profile: .39" (10mm).
- Light channel within .2" (5mm) of grade.

### Ordering Code

Fixture	Color	Lamp Wattage*
80-ZA292A	G: Green Y: Yellow R: Red B: Blue W: White	48: 48W, 6.6A (L852T, E) 105: 105W, 6.6A (L852F)
80-ZA292A		

\* Also available in voltage powered, please contact us.

Anodized finish fixtures (7.25" B.C.): Order with 30-AA122820 adapter ring if mounting on L868B base, sold separately.

Golden yellow finish fixtures (7" B.C.): Order with 80-009090 adapter ring if mounting on L868B base, sold separately (golden yellow fixtures restricted to existing customers and replacements).

**Visit our web site: [www.flightlight.com](http://www.flightlight.com)**

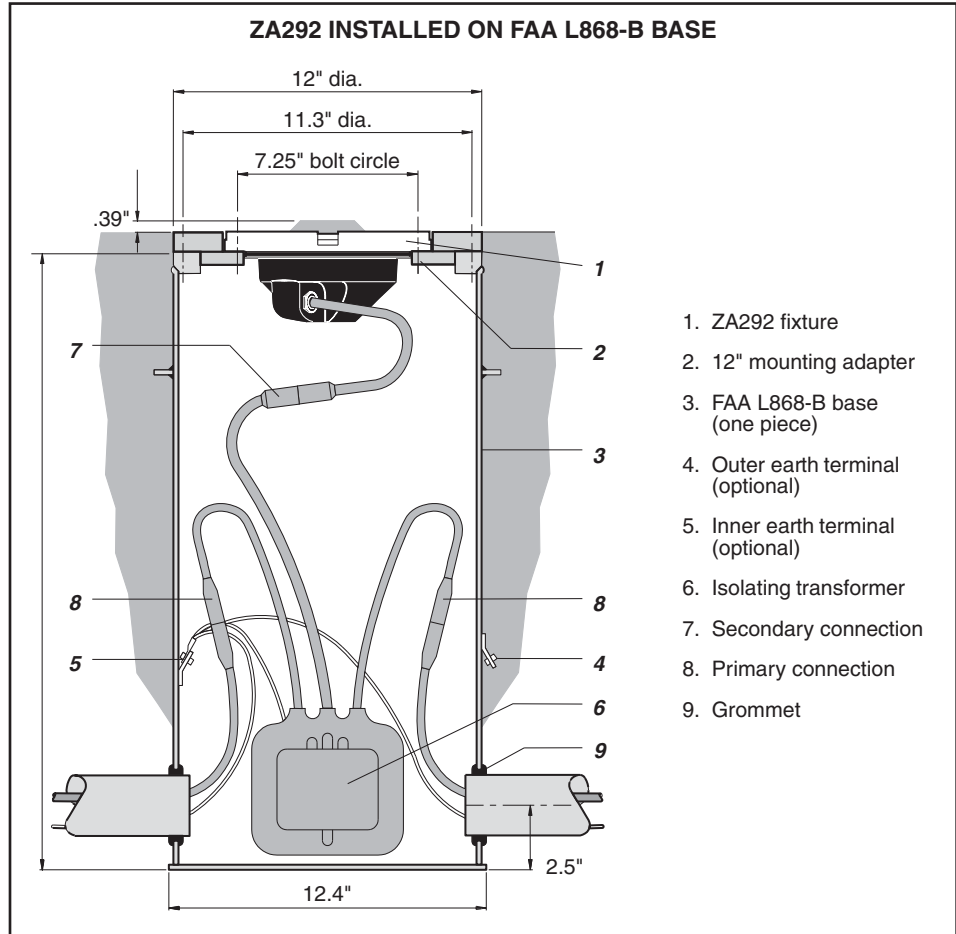
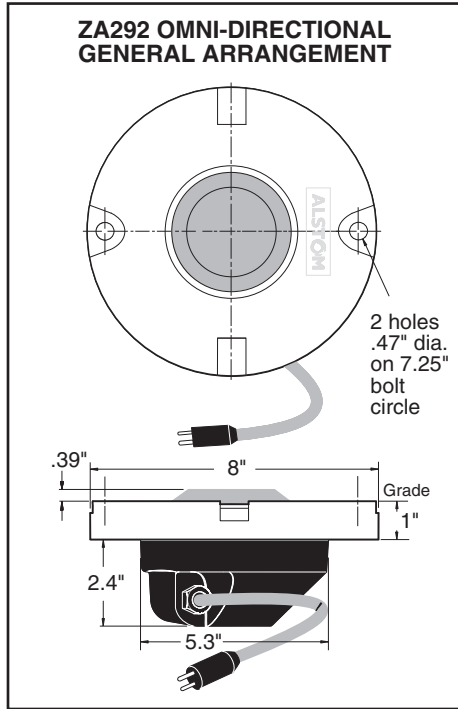


Flight Light Inc.  
 2708 47th Ave.  
 Sacramento, California, U.S.A.  
 95822-3806

PH (916) 394-2800  
 TF (800) 806-3548

FX (916) 394-2809  
 EM info@flightlight.com

atg airports (formerly ALSTOM)  
**ZA292 Taxiway Semiflush Light**  
 FAA Certified: L-852T  
 FAA Compliant: L-852E, L-852F



### Mounting Configurations

**L-868B 8"-12" Adapter/Flange Ring**  
 Anodized fixture (7.25" B.C.): 30-AA122820  
 Golden yellow fixture (7" B.C.): 80-009090

Visit our web site: [www.flightlight.com](http://www.flightlight.com)



**Flight Light Inc.**  
 2708 47th Ave.  
 Sacramento, California, U.S.A.  
 95822-3806

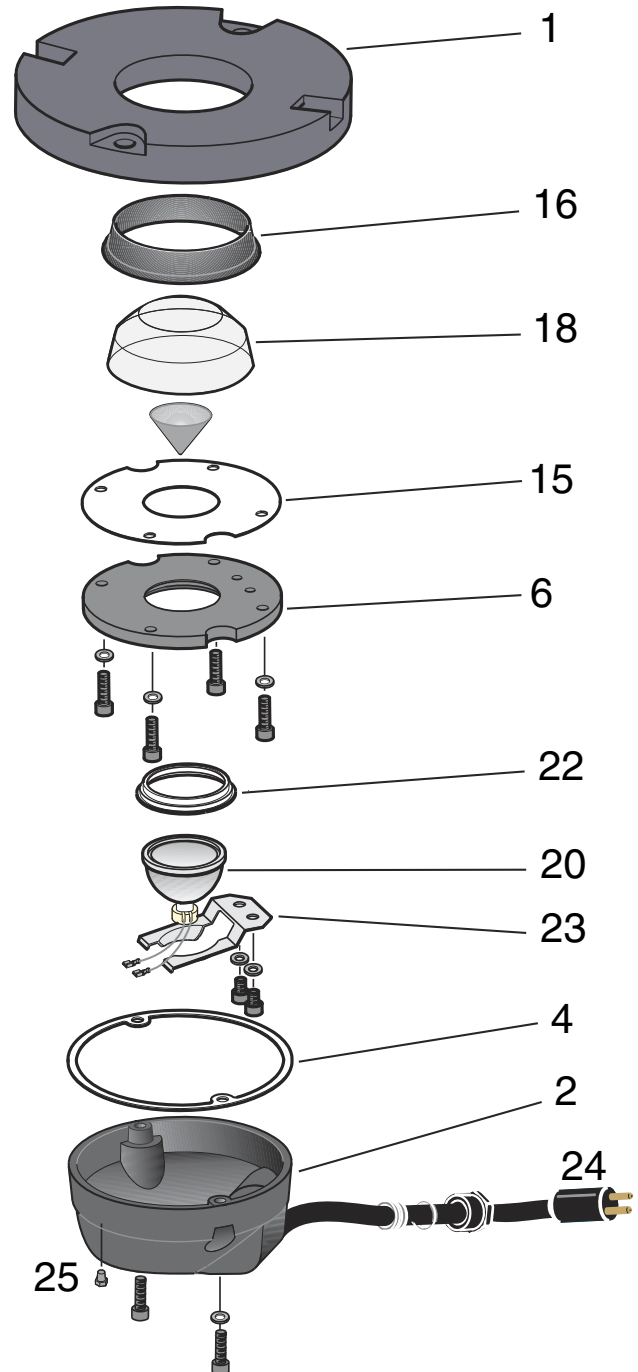
**atg airports (formerly ALSTOM)**  
**ZA292 Taxiway Semiflush Light**  
**FAA Certified: L-852T**  
**FAA Compliant: L-852E, L-852F**

**PH (916) 394-2800**  
**TF (800) 806-3548**

**FX (916) 394-2809**  
**EM info@flightlight.com**

### Common Replacement Parts

1	Body Casting (Std)	
2	Bottom Cover Casting	80-040206
3	Elkay Gland Set	80-021114/5/6
4	Bottom Cover Gasket	80-033080
6	Prism Clamp	80-021307
8	Bottom Cover Spinning Clamp	80-021311
15	Prism Clamp Gasket	80-021309
16	Prism Gasket	80-033090
18	Blue Prism Dome	80-019190
ALT	White (Clear) Prism Dome	80-016080
ALT	Green Prism Dome	80-019193
ALT	Yellow Prism Dome	80-019191
ALT	Red Prism Dome	80-019182
20	48W 6.6A Reflector Lamp	LA-008065
ALT	105W 6.6A Reflector Lamp	LA-008072
ALT	50W 110/120V Reflector Lamp	LA-008084
22	Lamp Gasket	80-033077
23	Lamp Retaining Spring	80-032039
24	B-Type Male Lead	TRC-10518-114-DO2
25	Pressure Test Plug	80-021256
ALT	Schrader Tank Valve	80-021327
31	120V/240V lamp holder	80-015057



**Visit our web site: [www.flightlight.com](http://www.flightlight.com)**

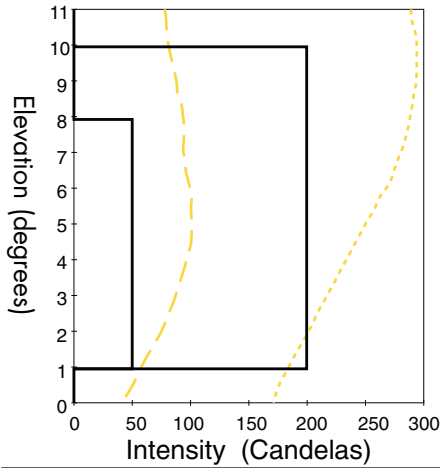


Flight Light Inc.  
 2708 47th Ave.  
 Sacramento, California, U.S.A.  
 95822-3806

PH (916) 394-2800 FX (916) 394-2809  
 TF (800) 806-3548 EM info@flightlight.com

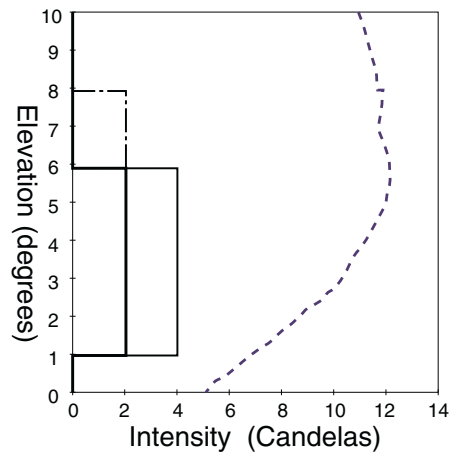
atg airports (formerly ALSTOM)  
 ZA292 Taxiway Semiflush Light  
 FAA Certified: L-852T  
 FAA Compliant: L-852E, L-852F

### ZA292 Taxiway Intersection Photometric Performance



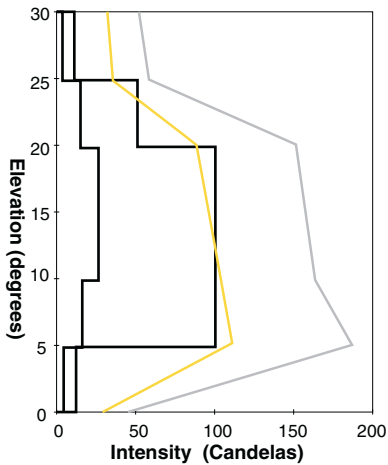
- Yellow performance (105 watts)
- (FAA L-852 F) Minimum average specification
- Yellow performance (48 watts)
- (FAA L-852 E) Minimum average specification

### ZA292 Taxiway Edge Photometric Performance



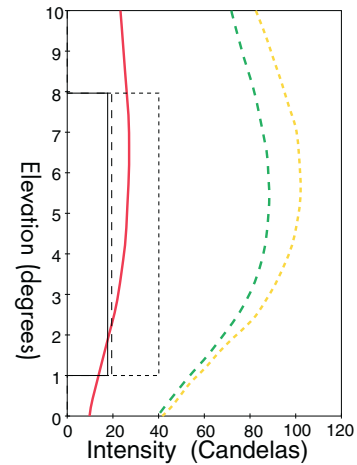
- Blue performance (48 watts)
- (CAP168) Minimum average specification
- (FAA) Minimum Average specification
- (STANNAG) Minimum average specification

### ZA292 Heli-pad Photometric Performance



- White performance (48 watts)
- Final approach and take off perimeter specification
- Yellow performance (48 watts)
- Touchdown and lift off and aiming point specification

### ZA292 Taxiway Edge (Stannag) Photometric Performance



- Yellow performance (48 watts)
- Yellow specification
- Green performance (48 watts)
- Green specification
- Red performance (48 watts)
- Red specification

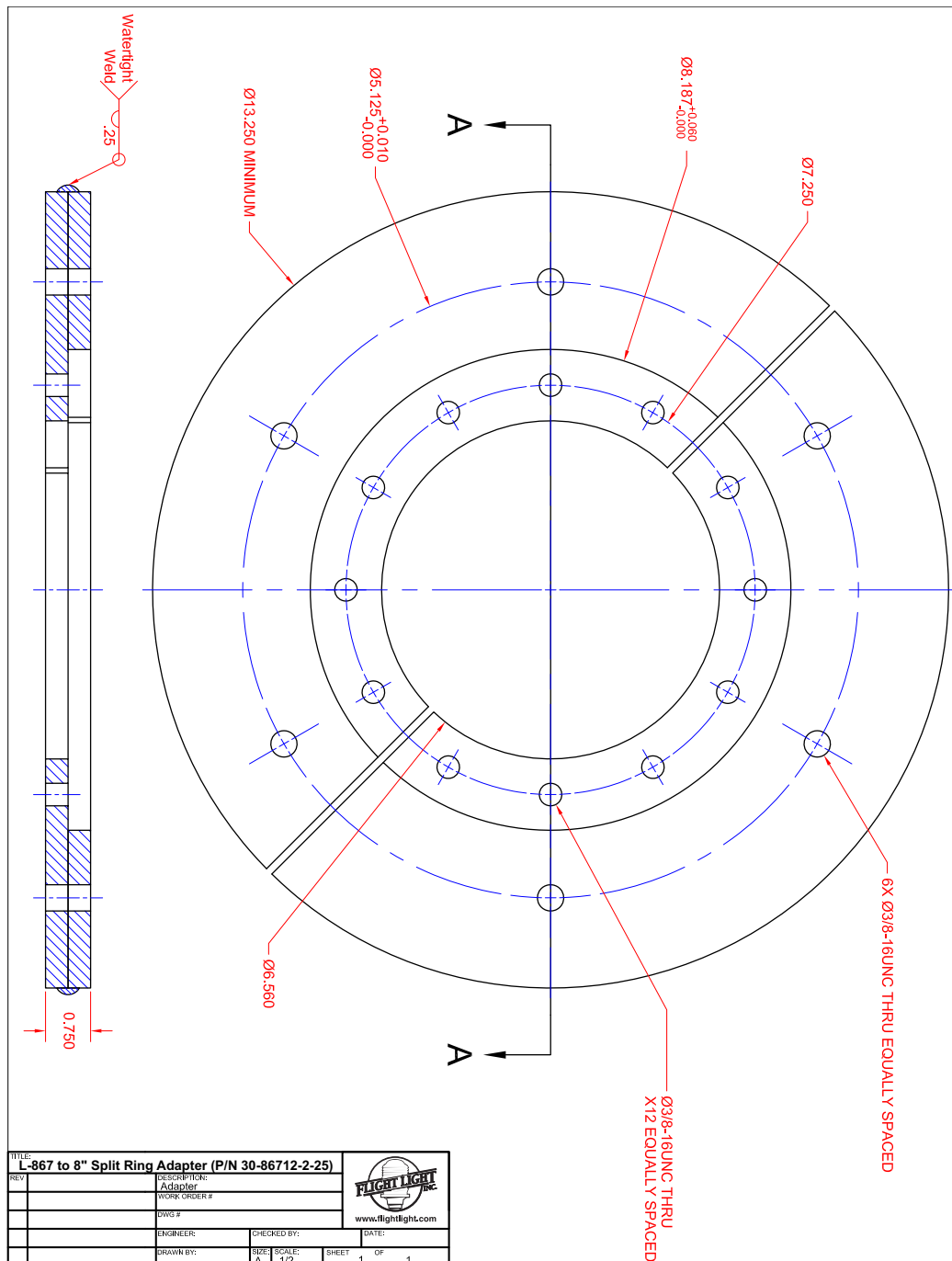
Visit our web site: [www.flightlight.com](http://www.flightlight.com)



**Flight Light Inc.**  
 2708 47th Ave.  
 Sacramento, California, U.S.A.  
 95822-3806  
 PH (916) 394-2800  
 FX (916) 394-2809  
 TF (800) 806-3548  
 EM info@flightlight.com

**atg airports (formerly ALSTOM)**  
**ZA292 Taxiway Semiflush Light**  
**FAA Certified: L-852T**  
**FAA Compliant: L-852E, L-852F**

**L-867 to 8" Split Ring Adapter (30-86712-2-25)**



Visit our web site: [www.flightlight.com](http://www.flightlight.com)



**Flight Light Inc.**  
 2708 47th Ave.  
 Sacramento, California, U.S.A.  
 95822-3806

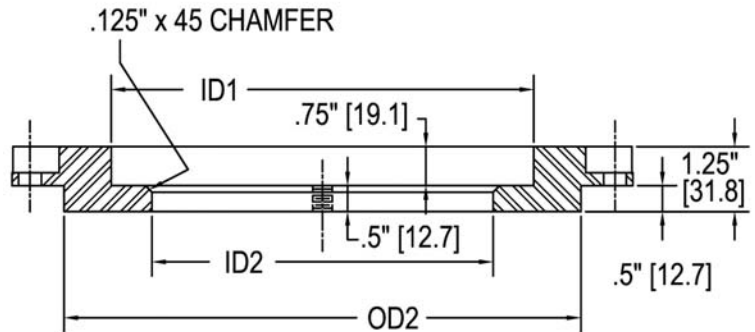
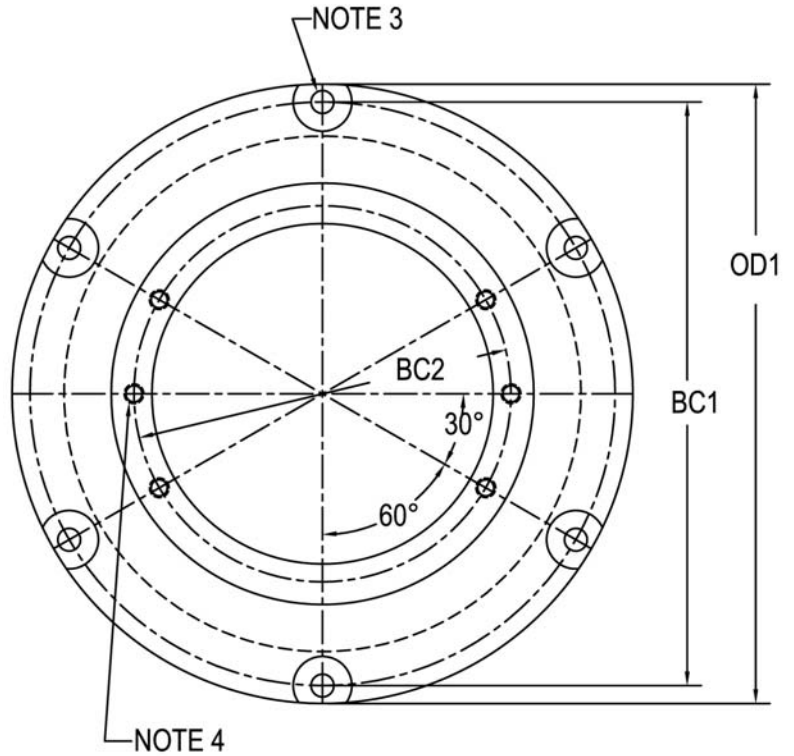
PH (916) 394-2800    FX (916) 394-2809  
 TF (800) 806-3548    EM info@flightlight.com

**atg airports (formerly ALSTOM)**  
**ZA292 Taxiway Semiflush Light**  
**FAA Certified: L-852T**  
**FAA Compliant: L-852E, L-852F**



**L-868B 8"-12" Adapter/Flange Ring  
 (30-AA122820)**

1. Approved and Certified to FAA Advisory Circular AC150/5345-42F  
 Size: B=12"
  2. Adapter Plates are galvanized to ASTM-A123/ A123M-02
  3. (6) 7/16" Ø equally spaced, thru holes with 1-1/8" Ø x 1/2" deep counter bore
  4. Standard Plate: (6) 3/8"-16 tapped holes  
 Metric Plate: (6) M10-1.5 tapped holes
  5. Standard Adapter Plates are shipped with:
    - (2) 3/8"-16 x 1-1/4" SS hex head bolts (10650202)
    - (2) 3/8", 2 piece locking washers (10680607)
    - (1) Bolt Set (6100) containing:
      - (6) 3/8"-16 x 1" SS hex head bolts (10650198)
      - (6) 3/8", 2 piece locking washers (10680607)
- Metric Adapter Plates are shipped with:
- (2) M10x1.5x30mm SS hex head bolts (10652820)
  - (2) 3/8", 2 piece locking washers (10680607)
  - (1) Bolt Set (6100M) containing:
    - (6) M10x1.5x30mm SS hex head bolts (10652820)
    - (6) 3/8", 2 piece locking washers (10680607)



TYPE	OD1	BC1	OD2	ID1	BC2	ID2
<b>30-AA122820</b>	11.938" [303.2]	11.25" [285.8]	9.938" [252.4]	8.125" [206.4]	7.25" [184.2]	6.563" [166.7]

Add "M" to the end of the part number to note Metric Adapter Plate

[ ] = metric dimensions in mm

**Visit our web site: [www.flightlight.com](http://www.flightlight.com)**