



Flight Light Inc.  
2708 47th Ave.  
Sacramento, California, U.S.A.  
95822-3806

atg airports (formerly ALSTOM)  
**ZA280 LED**  
Taxiway Centerline  
and Stop Bar Light  
FAA Compliant: L-852A & L-852C

PH (916) 394-2800 FX (916) 394-2809  
TF (800) 806-3548 EM info@flightlight.com

### Compliance and Applications

FAA Compliant: AC 150/5345-46D L-852A, L-852C

ICAO: Annex 14, figs 1.1, 2.13, 2.14, 2.15, 2.16 & 2.17

NATO: STANAG 3316 (Para 22b, Annex C)

CAA: CAP168, figs 6A/12, 6A/13, 6A/14, 6A/15, 6A/16 & table 6A/1

BS3224: Part 5 inset fittings

Our ZA280 LED fixtures are suitable for use as inset taxiway centerline and stop-bar lights.

### Features

- Body casting manufactured from aluminum alloy for lightness, strength and durability.
- Corrosion resistant anodized finish.
- Prism removal and replacement achieved without the need for adhesive or sealants.
- Color variations achieved by using color specific LEDs.
- A window blank is available for unidirectional applications.
- Pre-focused optics to simplify maintenance procedures.
- Low profile .39" (10mm).
- Light channel within .2" (5mm) of grade.
- A power converter is supplied in the secondary cable between the isolation transformer and fixture.
- The power converter will control the LED's light output through 3 stages of brilliancy.



### Electrical Supply

Suitable for use in 6.6A airfield lighting circuits normally supplied from 1 x 45W, 1 x 65W or 100W isolation transformer. Power consumption is 10W.

### Packing Data

Net weight: 6.6 lbs. (3kg)  
Gross weight: 7.7 lbs. (3.5kg)  
Carton size: 9.06" [230mm(w)] x 9.06" [230mm(d)] x 5.75" [146mm(h)]

### Ordering Code

Fixture Type	Color/Color	Lamp	Power Converter
80-ZA280A	W: White G: Green R: Red Y: Yellow X: Blank	L: LED	P: Power Converter*

Color/Color			
80-ZA280A			

\* Sold separately as 80-ZL836.

Order with 30-AA122820 adapter ring if mounting on L868B base, sold separately.

Visit our web site: [www.flightlight.com](http://www.flightlight.com)



**Flight Light Inc.**  
 2708 47th Ave.  
 Sacramento, California, U.S.A.  
 95822-3806

**PH (916) 394-2800**    **FX (916) 394-2809**  
**TF (800) 806-3548**    **EM info@flightlight.com**

**atg airports (formerly ALSTOM)**  
**ZA280 LED**  
**Taxiway Centerline**  
**and Stop Bar Light**  
**FAA Compliant: L-852A & L-852C**

## Specifications

TYPE: Green/yellow/red, bidirectional, taxiway and stop bar light for centerline straight and offset sections.

The taxiway/stop bar bidirectional inset light shall comply with FAA, ICAO Annex 14 for use in category I, II and III all weather operations, CAP168, BS3224 Part 5, and STANAG 3316.

TYPE: Green/yellow/red, bidirectional, taxiway and stop bar light for centerline curve sections.

The taxiway/stop bar bidirectional inset light shall comply with ICAO Annex 14 for use in category I, II and III all weather operations, CAP168, BS3224 Part 5, FAA and STANAG 3316.

Fixtures shall be of modular design with the main casting manufactured in aluminum alloy, suitably protected against corrosion and with anodized finish.

The optical system shall comprise of a 3 LED segment for unidirectional applications, and a LED segment for bidirectional use. Two glass prisms shall be accurately located in the main casting, without the need for additional adhesives or sealants, to direct the light beams such that no re-focusing is required on installation, maintenance or in service. Color specific LEDs will be used to provide, green, yellow or red light. The fixtures shall be versatile so that requirements for both narrow and wide light distribution are met. Unidirectional applications shall be satisfied by the provision of a window blank.

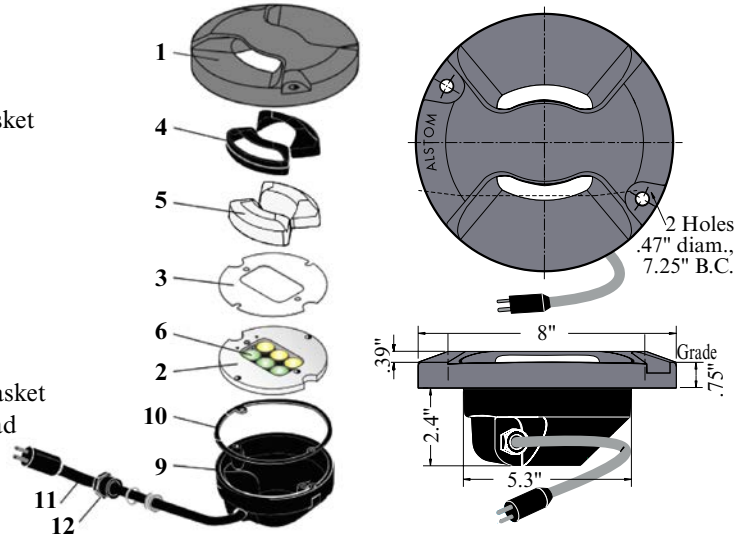
Replacement of the LEDs is not envisaged until they have been in use for a nominal 80,000 hours, but when this is necessary replacement will be easily effected from the bottom of the fixture.

The light fixture shall have an upper surface forming a smooth sloped face projecting not more than .39" (10mm) above the pavement surface. The fixture shall resist all stresses imposed by impact, rollover and static loads of present day aircraft without damage to the fixture or to aircraft and vehicle tires.

A handbook shall be provided giving full installation, operation and maintenance instructions together with a detailed parts list.

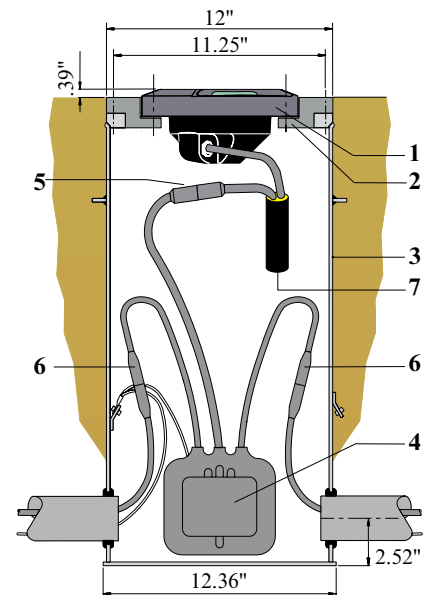
## Components

1. Body casting
2. Prism clamp
3. Prism clamp gasket
4. Prism gasket (2)
5. Prism (1 or 2)  
Blank for prism aperture
6. LED cluster
7. Not used
8. Not used
9. Bottom cover
10. Bottom cover gasket
11. 'B' Type plus lead
12. Cable gland assembly



## ZA280 on L-868 Base

1. ZA280 fixture
2. 12" mounting adapter (30-AA122820)
3. FAA L-868 base (one piece)
4. Isolation transformer (L-830)
5. Secondary connection
6. Primary connector (L-823)
7. Power converter (80-ZL836)



**Visit our web site: [www.flightlight.com](http://www.flightlight.com)**



Flight Light Inc.  
2708 47th Ave.  
Sacramento, California, U.S.A.  
95822-3806

atg airports (formerly ALSTOM)  
ZA280 LED

Taxiway Centerline  
and Stop Bar Light

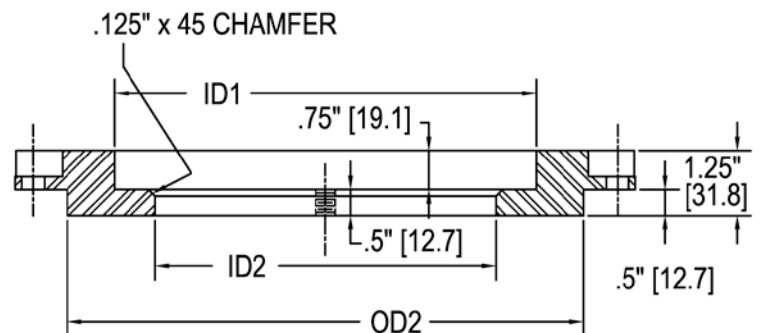
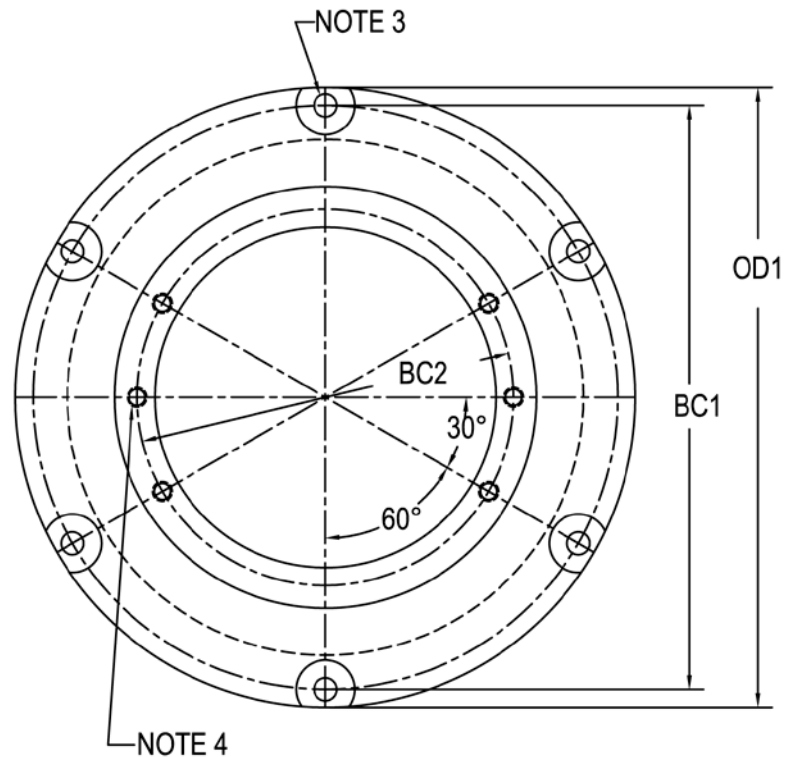
FAA Compliant: L-852A & L-852C

PH (916) 394-2800 FX (916) 394-2809  
TF (800) 806-3548 EM info@flightlight.com



### L-868B 8''-12'' Adapter/Flange Ring (30-AA122820)

1. Approved and Certified to FAA Advisory Circular AC150/5345-42F  
Size: B=12"
  2. Adapter Plates are galvanized to ASTM-A123/  
A123M-02
  3. (6) 7/16"  $\varnothing$  equally spaced, thru holes with 1-1/8"  
 $\varnothing$  x 1/2" deep counter bore
  4. Standard Plate: (6) 3/8"-16 tapped holes  
Metric Plate: (6) M10-1.5 tapped holes
  5. Standard Adapter Plates are shipped with:
    - (2) 3/8"-16 x 1-1/4" SS hex head bolts (10650202)
    - (2) 3/8", 2 piece locking washers (10680607)
    - (1) Bolt Set (6100) containing:
      - (6) 3/8"-16 x 1" SS hex head bolts (10650198)
      - (6) 3/8", 2 piece locking washers (10680607)
- Metric Adapter Plates are shipped with:
- (2) M10x1.5x30mm SS hex head bolts (10652820)
  - (2) 3/8", 2 piece locking washers (10680607)
  - (1) Bolt Set (6100M) containing:
    - (6) M10x1.5x30mm SS hex head bolts (10652820)
    - (6) 3/8", 2 piece locking washers (10680607)



TYPE	OD1	BC1	OD2	ID1	BC2	ID2
30-AA122820	11.938" [303.2]	11.25" [285.8]	9.938" [252.4]	8.125" [206.4]	7.25" [184.2]	6.563" [166.7]

Add "M" to the end of the part number to note Metric Adapter Plate

[ ] = metric dimensions in mm

Visit our web site: [www.flightlight.com](http://www.flightlight.com)