



Flight Light Inc.
2708 47th Ave.
Sacramento, California, U.S.A.
95822-3806



Medium Intensity Elevated Lights
MIEL
FAA L-861, L-861T, L-861E

PH (916) 394-2800 FX (916) 394-2809
TF (800) 806-3548 EM info@flightlight.com

Compliance

FAA AC 150/5345-46D:
ETL Certified L-861, L-861E, L-861T
ICAO Annex 14, Vol. 1

Flight Light L-861 elevated lights are used on runways, taxiways and runway thresholds/ends. Each fixture is constructed from a die cast aluminum body, powder coated in aviation yellow. L-861s are available with either quartz halogen lamps (rated for 1,000 hours) or T10 lamps (rated for 2,000 hours) in both 30 and 45 watt power options. A glass Fresnel type lens is secured with a replaceable O-ring and a stainless steel clamp band. The clamp band provides easy access for effortless lamp servicing. A rugged cord is included with rubberized L-823 style connector to connect to the secondary of a 6.6A isolation transformer. The L-861 includes a 1.5" (standard) or 2.0" frangible coupling to attach the fixture to a L-867 style base plate or mounting stake. Standard mounting heights are 14, 24 and 30 inches. The fixture head is secured to the riser using three bolts to allow for leveling if necessary.

Features

- T10 Long Life Lamps are rated for 2,000 hours.
- ETL certified.

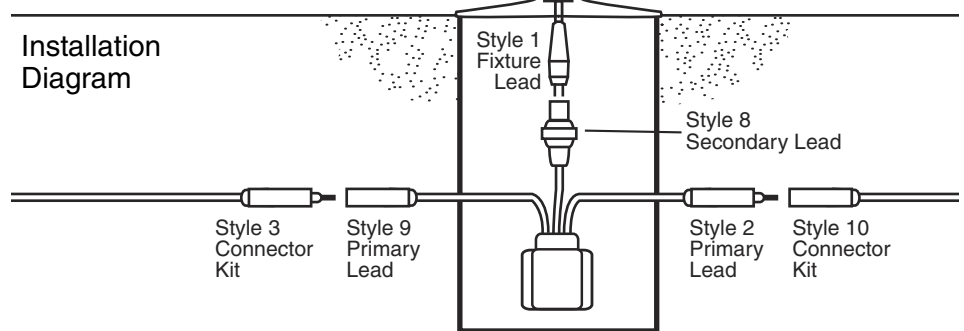
Applications

The Flight Light L-861 is certified for use as an L-861, L-861E and L-861T.

- **L-861:** clear or split clear/yellow globe, can be used to mark the runway edge, including non-precision IFR runways. 45Q lamp (#33), 45 lamp (#634).
- **L-861E:** split green/red globe (blanks available), can be used to mark the runway threshold or end, including non-precision IFR runways. 45Q lamp (#33), 45 lamp (#634).
- **L-861T:** blue globe, can be used to mark the taxiway edge. 30Q and 45Q lamps (#33), 45 lamp (#634).
- Others globe colors available for miscellaneous applications.



Installation Diagram



Ordering Code

Fixture Type	FAA Number	Globe Color	Lamp & Power	Mounting Height	Fixture Options
FL	861	B: Blue	30: 30W, T10, 6.6A	14: 14" (standard)	1: 1.5" Frangible Coupling (13-FC1.5) 2: 2" Frangible Coupling (13-FC2.0)
		C: Clear	45: 45W, T10, 6.6A	24: 24" (extended)	
		GR: Green/Red	30Q: 30W, Halogen, 6.6A	30: 30" (extended)	
		CY: Clear/Yellow	45Q: 45W, Halogen, 6.6A		

Shipping Weight: 3.2 lb./1.5 kilo., volume: 0.5 cu. feet/0.01 cu. meters.
Sample Ordering Code: FL-861-B-45-14

Visit our web site: www.flightlight.com



Flight Light Inc.
 2708 47th Ave.
 Sacramento, California, U.S.A.
 95822-3806



PH (916) 394-2800 FX (916) 394-2809
 TF (800) 806-3548 EM info@flightlight.com

Medium Intensity Elevated Lights
 MIEL
 FAA L-861, L-861T, L-861E

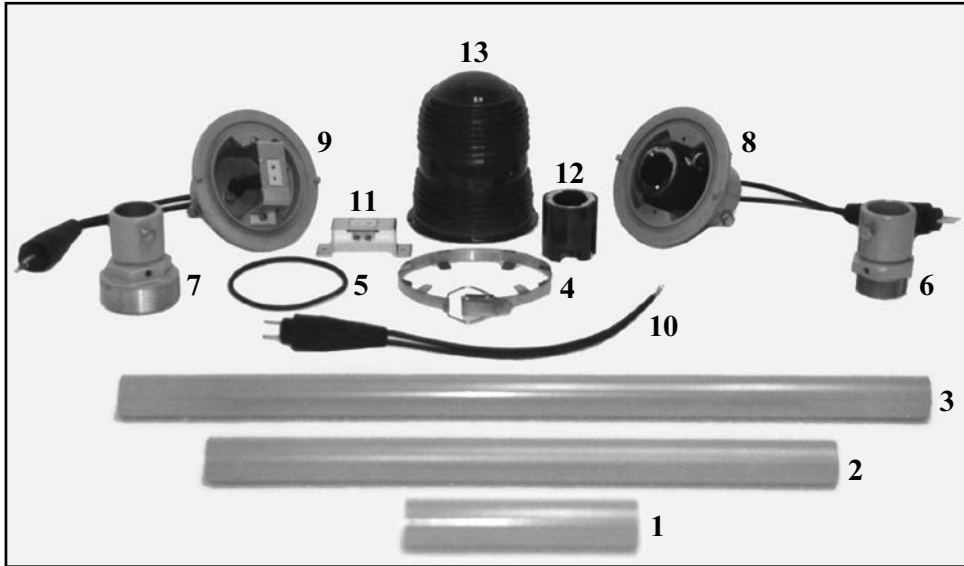


Fig.	P/N	Description
1	13-A5.5-14	5-1/2" riser for 14" fixture
2	13-A15.5-24	15-1/2" riser for 24" fixture
3	13-A21.5-30	21-1/2" riser for 30" fixture
4	61-80001	Clamp band - stainless steel
5	61-80002	O-ring seal
6	13-FC1.5	Frangible metal coupling, 1.5"
7	13-FC2.0	Frangible metal coupling, 2.0"
8	13-861T-XX*	Head assembly w/T10 socket & cord set
9	13-861Q-XX*	Head assembly w/quartz socket & cord set
10	TRC10518-0131	L-823 style cord set connector for 14" to 30" fixture
11	61-80000	Socket, quartz with bracket
11A	LA-11478	30W, 6.6A, quartz EXL lamp
11A	LA-11482	45W, 6.6A, quartz EXM lamp
12	61-80005	Socket, T10, prefocus - for T10 lamp
12A	LA-7669H	30W, 6.6A T10 lamp
12A	LA-7654H	45W, 6.6A T10 lamp
13	61-861 (color)	Globe: Indicate B: Blue, C: Clear, Y: Yellow, GR: Green/Red, CY: Clear/Yellow

* Does not include parts shown in figures 4 and 5.
 XX = Height (14", 24" or 30")

Visit our web site: www.flightlight.com